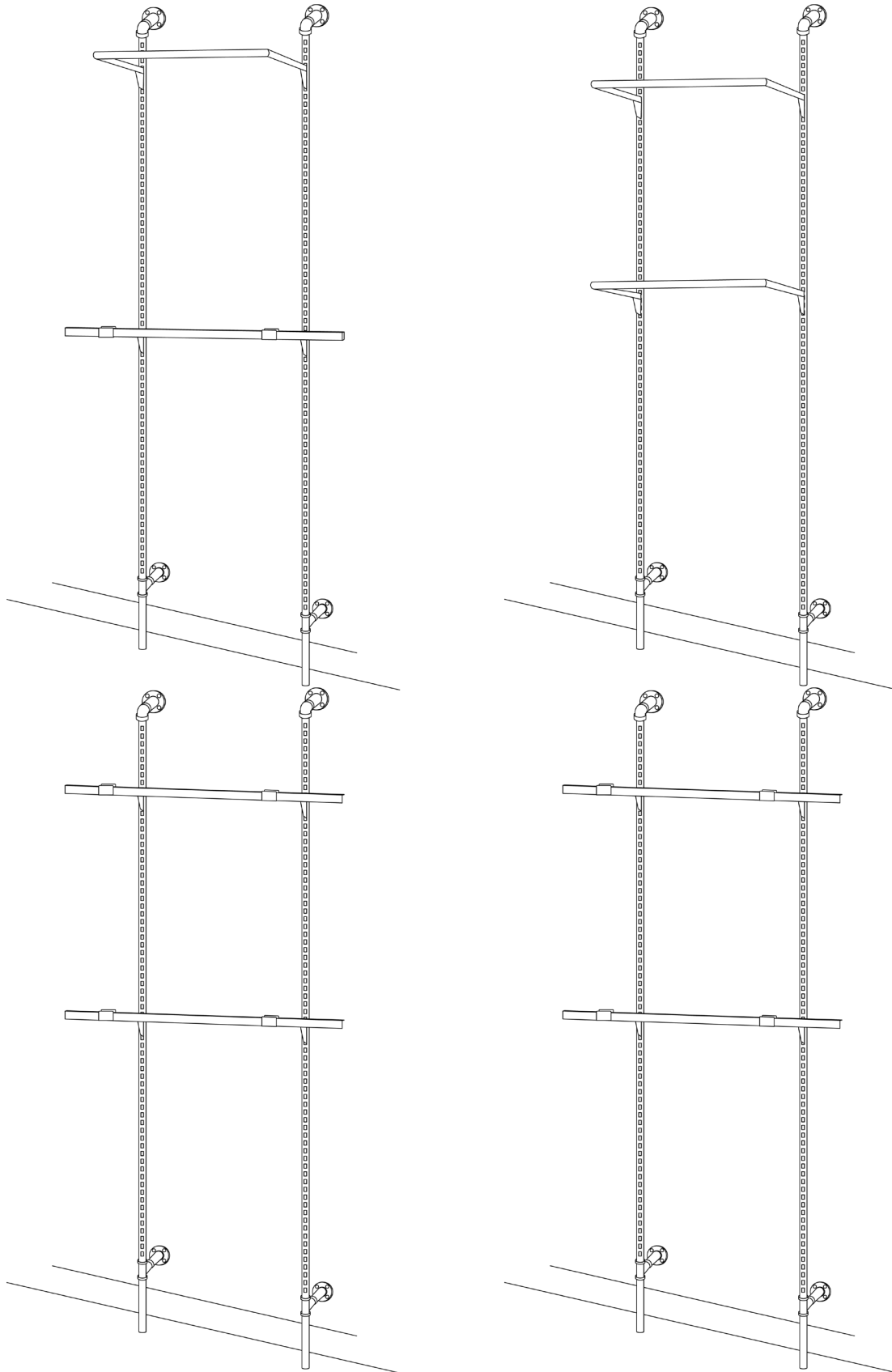


ASSEMBLY INSTRUCTIONS MANUAL

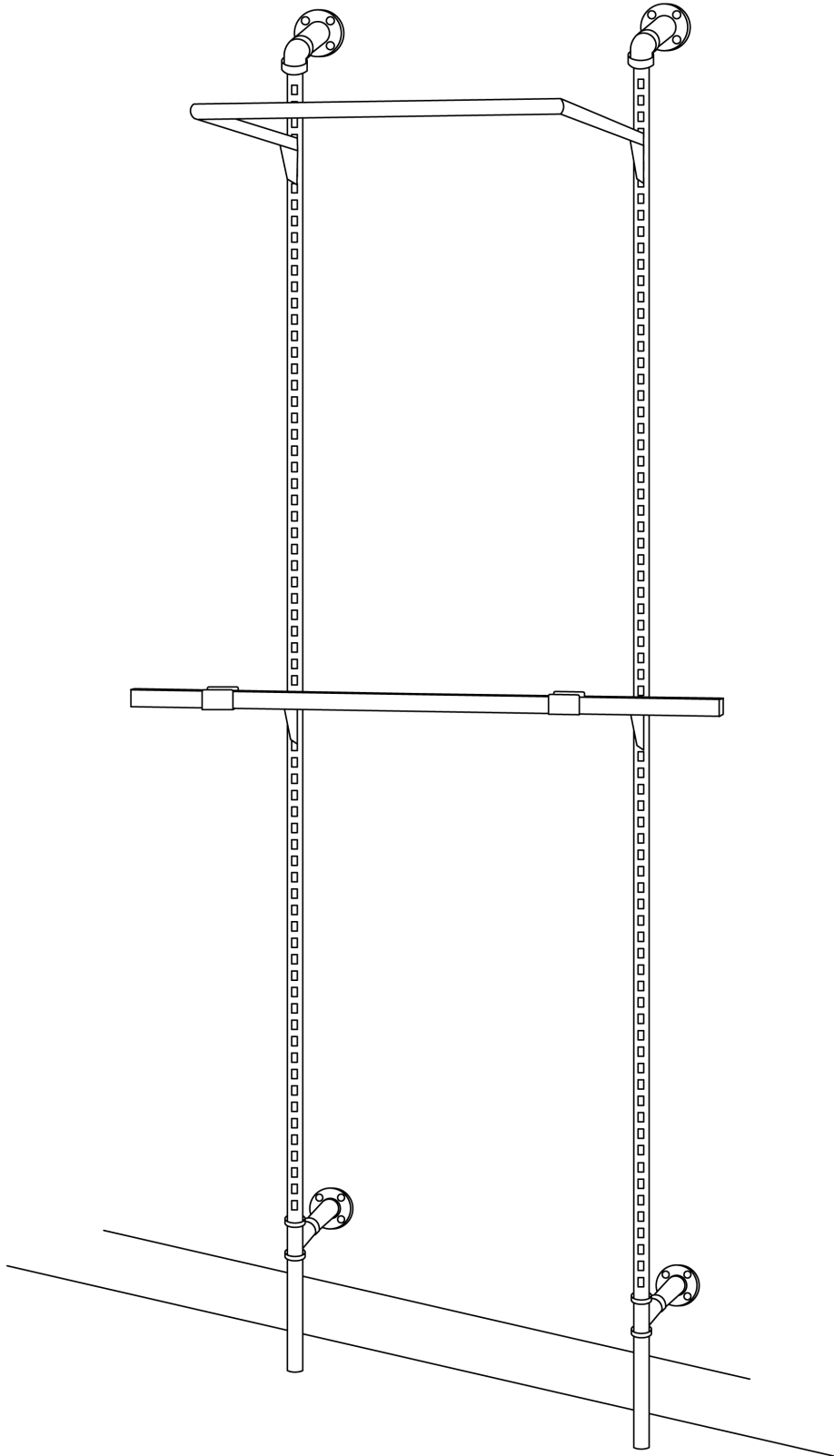
#60861 #60862 #60867 #60870 #60868 #60871 #60869 #60872

BOUTIQUE PIPE OUTRIGGER SYSTEM KIT 1-4



ASSEMBLY INSTRUCTIONS MANUAL

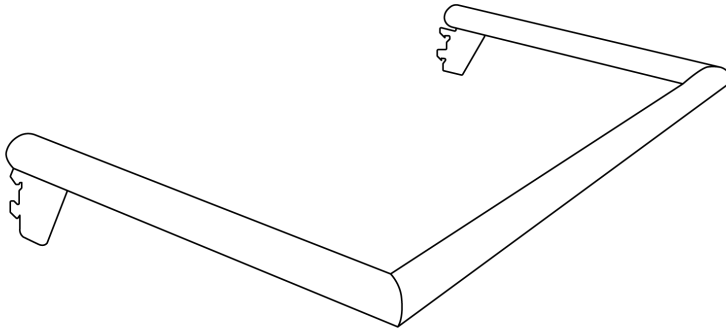
#60861 #60862-BOUTIQUE PIPE OUTRIGGER SYSTEM KIT 1



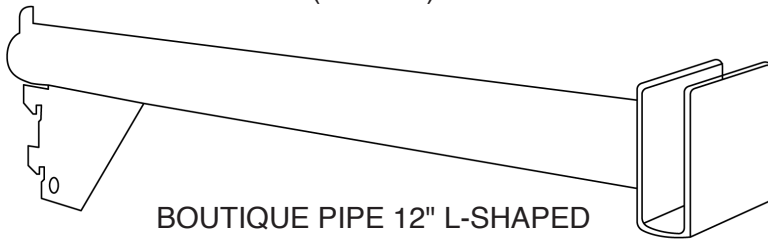
ASSEMBLY INSTRUCTIONS MANUAL

#60861 #60862-BOUTIQUE PIPE OUTRIGGER SYSTEM KIT 1

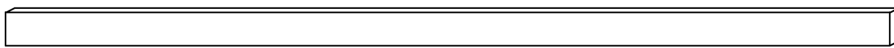
PARTS IN CARTON:



BOUTIQUE PIPE U-SHAPED
HANGRAIL BRACKETS
(1 EACH)



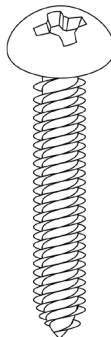
BOUTIQUE PIPE 12" L-SHAPED
HANGRAIL BRACKETS
(2 EACH)



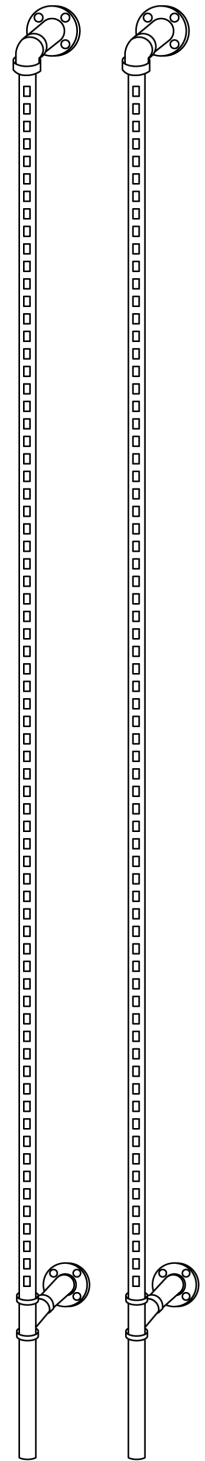
BOUTIQUE PIPE 4' DIMENSIONAL
HANGRAIL (1 EACH)



DRYWALL ANCHOR
(16 EACH)



COUNTERSINK
SCREW (16 EACH)



BOUTIQUE PIPE
OUTRIGGER UPRIGHTS
(2 EACH)

YOU WILL NEED TO SUPPLY YOUR
OWN TAPE MEASURE, LEVEL, DRILL
OR SCREWDRIVER FOR INSTALLATION.

ASSEMBLY INSTRUCTIONS MANUAL

#60861 #60862 #60867 #60870 #60868 #60871 #60869 #60872
BOUTIQUE PIPE OUTRIGGER SYSTEM KIT 1-4

STEP 1

PLACE THE FIRST OUTRIGGER ASSEMBLY **LEVEL** AND **VERTICAL** AGAINST THE WALL AND MARK EACH MOUNTING PLATE HOLE LOCATION. (SEE FIGURE 1) MEASURE $24\frac{7}{8}$ " BETWEEN THE CENTER OF THE OUTRIGGERS, AND MARK MOUNTING HOLE LOCATIONS.

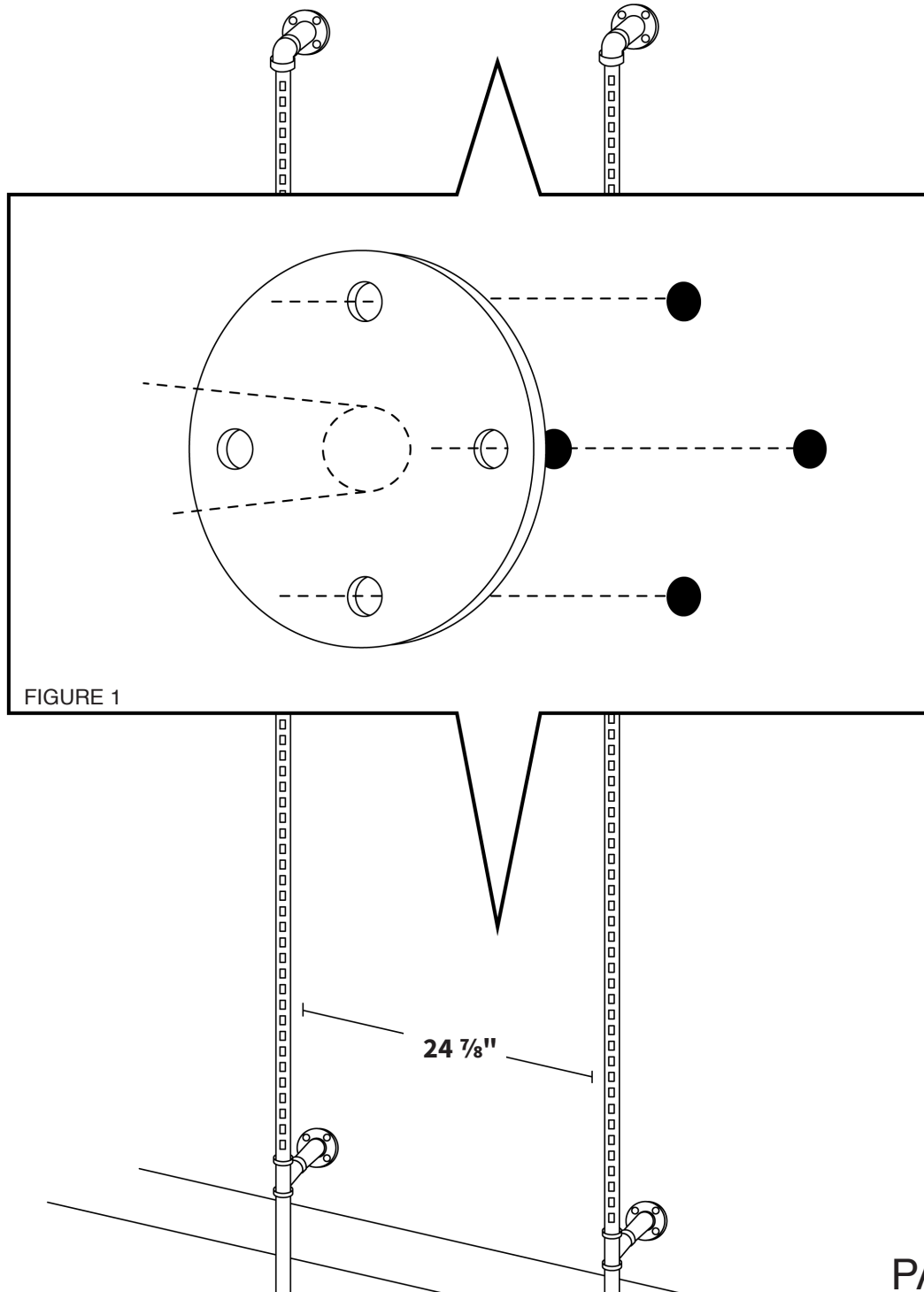


FIGURE 1

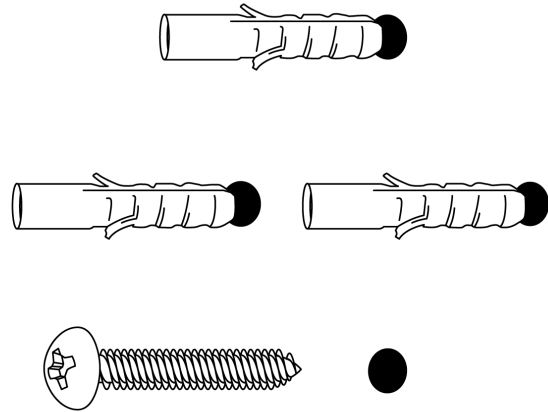
ASSEMBLY INSTRUCTIONS MANUAL

#60861 #60862 #60867 #60870 #60868 #60871 #60869 #60872
BOUTIQUE PIPE OUTRIGGER SYSTEM KIT 1-4

STEP 2

USING THE WALL SCREW AS A DRILL BIT, SCREW INTO THE WALL THEN REMOVE. INSTALL DRY WALL ANCHORS INTO EACH HOLE. (SEE FIGURE 2)

FIGURE 2



STEP 3

ALIGN THE OUTRIGGER MOUNTING PLATES WITH THE HOLES THEN INSERT A SCREW INTO EACH HOLE, THEN TIGHTEN. REPEAT FOR EACH OUTRIGGER (SEE FIGURE 3)

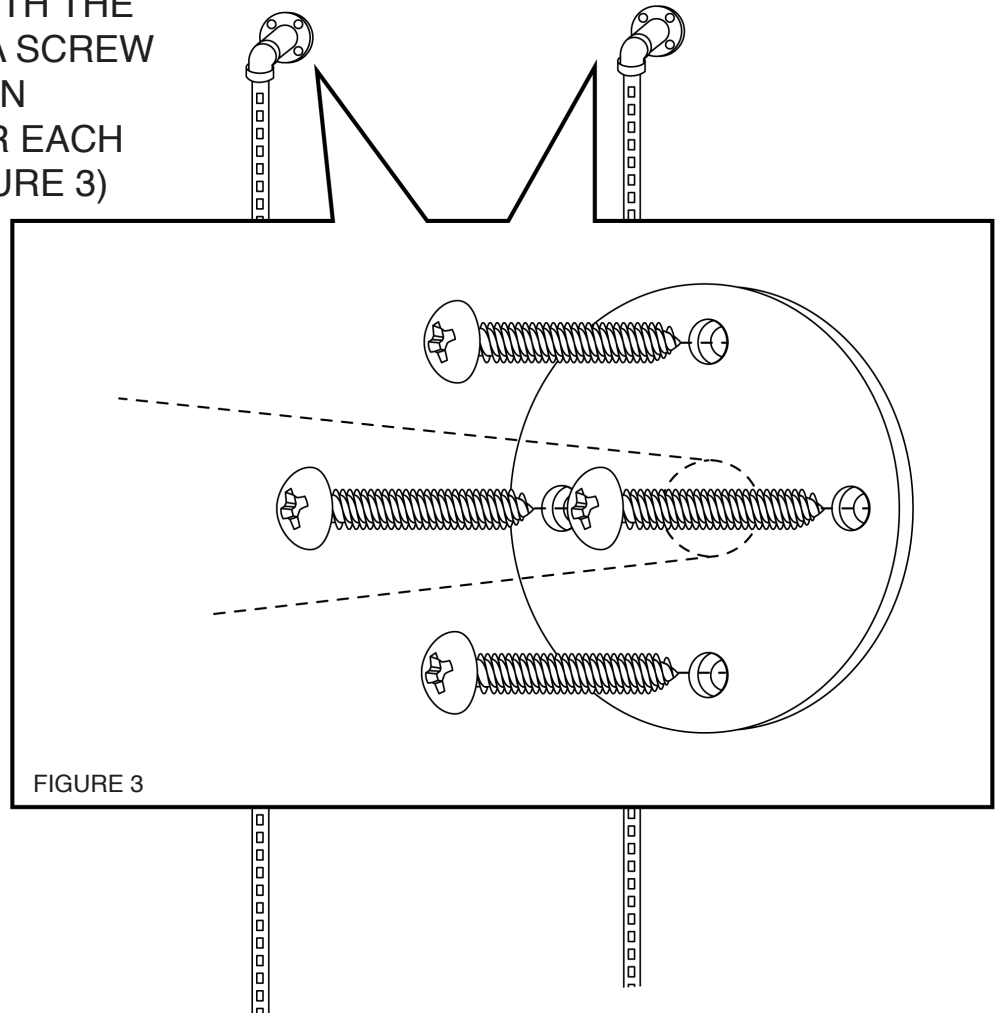


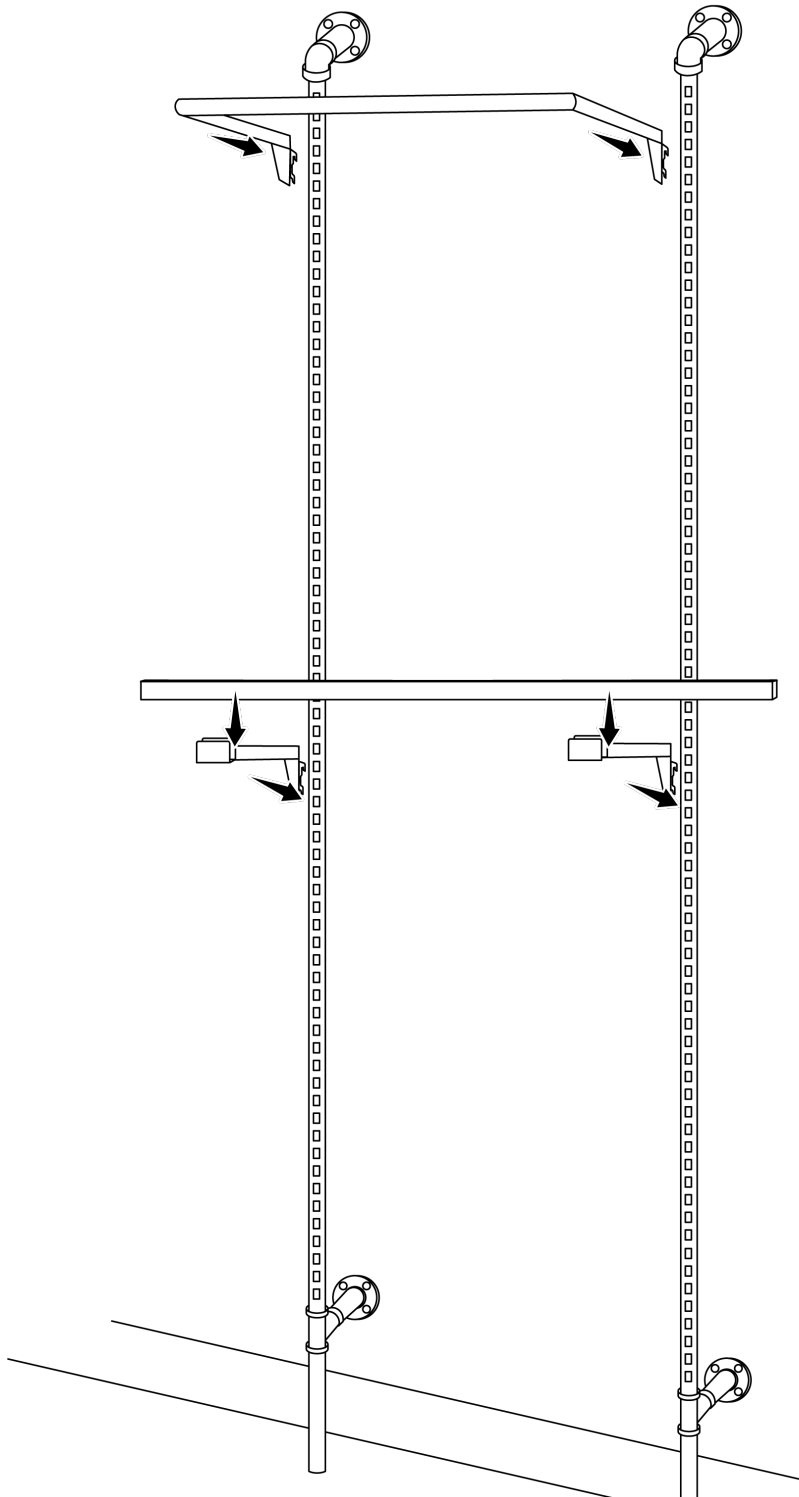
FIGURE 3

ASSEMBLY INSTRUCTIONS MANUAL

#60861 #60862-BOUTIQUE PIPE OUTRIGGER SYSTEM KIT 1

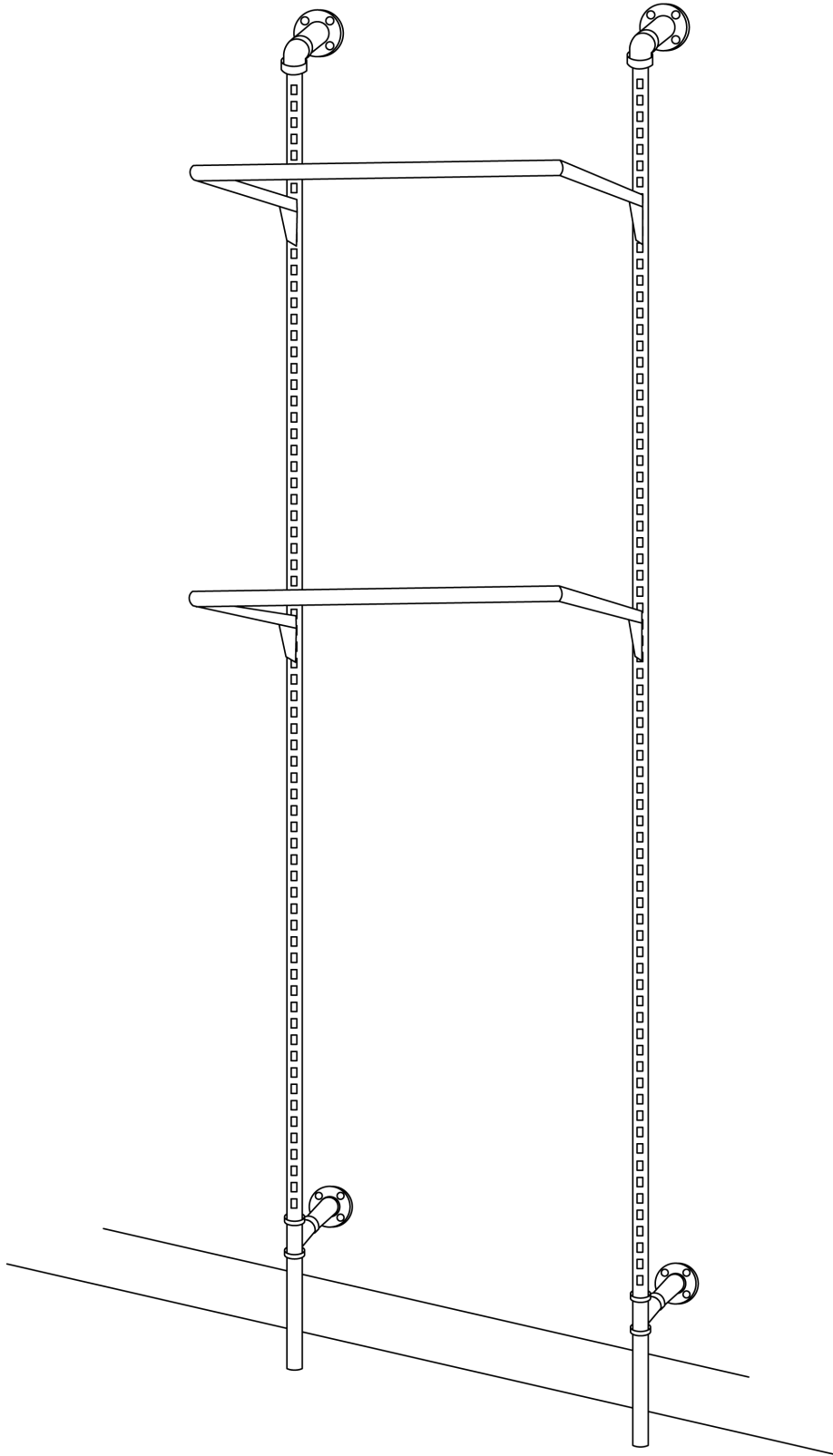
STEP 4

PLACE THE U-SHAPED HANGRAIL ON TO THE OUTRIGGER, THEN PLACE THE L-SHAPED BRACKETS ON TO THE OUTRIGGER, FINALLY PLACE THE DIMENSIONAL HANGRAIL INTO THE BRACKET.



ASSEMBLY INSTRUCTIONS MANUAL

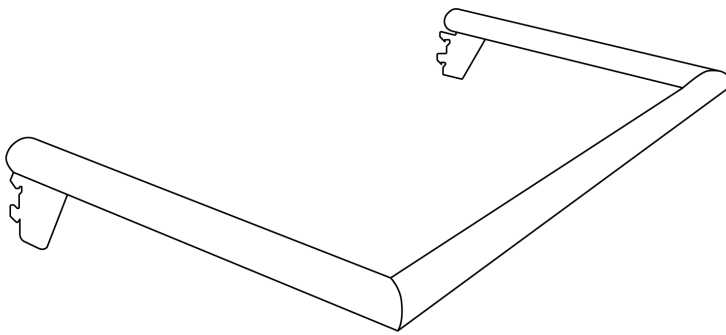
#60867 #60870-BOUTIQUE PIPE OUTRIGGER SYSTEM KIT 2



ASSEMBLY INSTRUCTIONS MANUAL

#60867 #60870-BOUTIQUE PIPE OUTRIGGER SYSTEM KIT 2

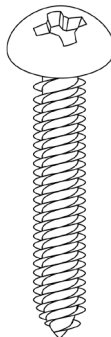
PARTS IN CARTON:



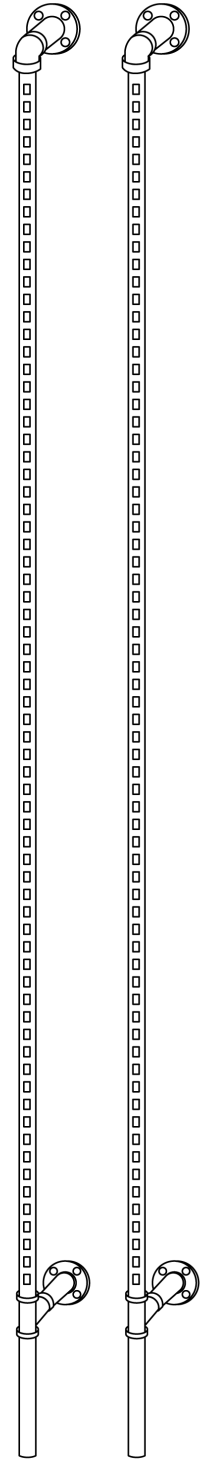
BOUTIQUE PIPE U-SHAPED
HANGRAIL BRACKETS
(2 EACH)



DRYWALL ANCHOR
(16 EACH)



COUNTERSINK
SCREW (16 EACH)



BOUTIQUE PIPE
OUTRIGGER UPRIGHTS
(2 EACH)

YOU WILL NEED TO SUPPLY YOUR
OWN TAPE MEASURE, LEVEL, DRILL
OR SCREWDRIVER FOR INSTALLATION.

ASSEMBLY INSTRUCTIONS MANUAL

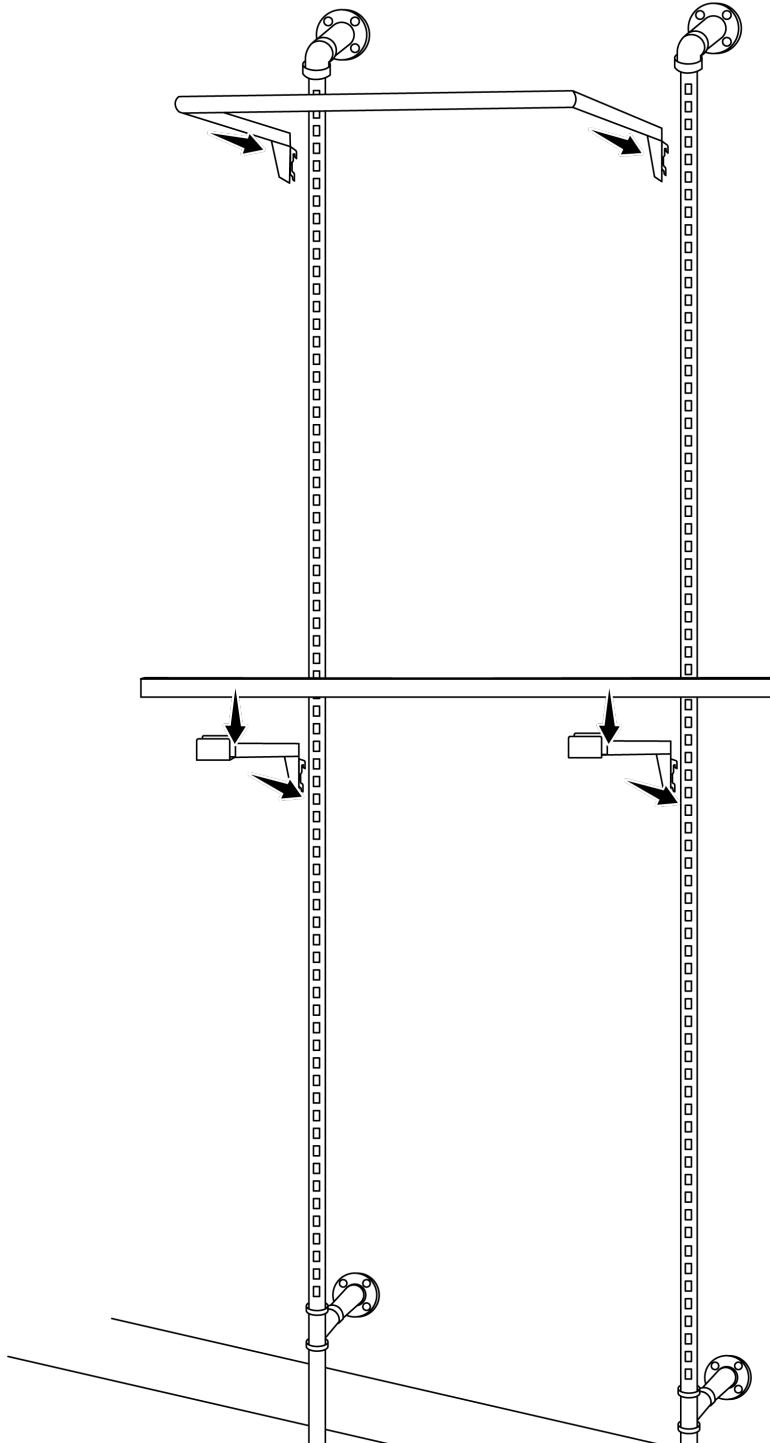
#60867 #60870-BOUTIQUE PIPE OUTRIGGER SYSTEM KIT 2

STEP 1-3

PLEASE REFERENCE PAGES 4 AND 5 FOR OUTRIGGER WALL MOUNTING.

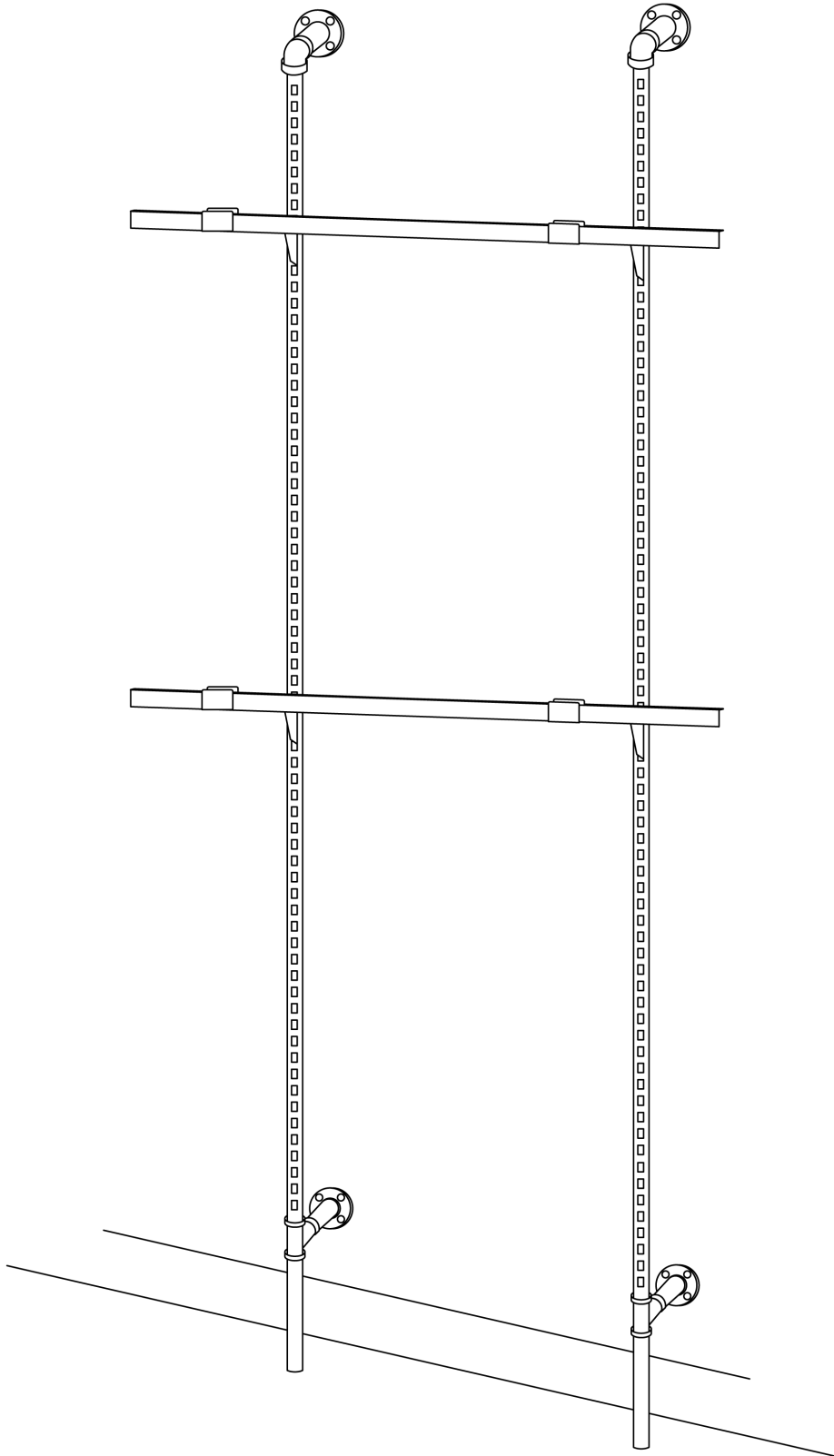
STEP 4

PLACE EACH U-SHAPED HANGRAIL ON TO THE OUTRIGGER IN THE DESIRED LOCATION.



ASSEMBLY INSTRUCTIONS MANUAL

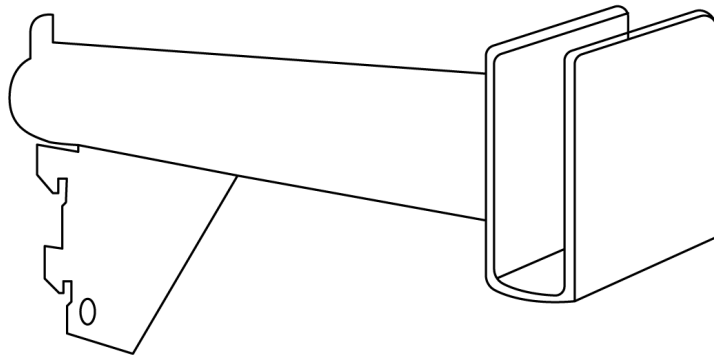
#60868 #60871-BOUTIQUE PIPE OUTRIGGER SYSTEM KIT 3



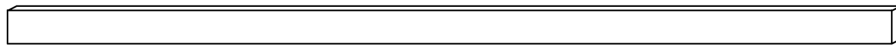
ASSEMBLY INSTRUCTIONS MANUAL

#60868 #60871-BOUTIQUE PIPE OUTRIGGER SYSTEM KIT 3

PARTS IN CARTON:



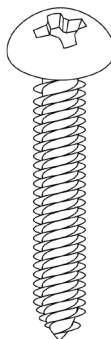
BOUTIQUE PIPE 3" L-SHAPED
HANGRAIL BRACKETS
(4 EACH)



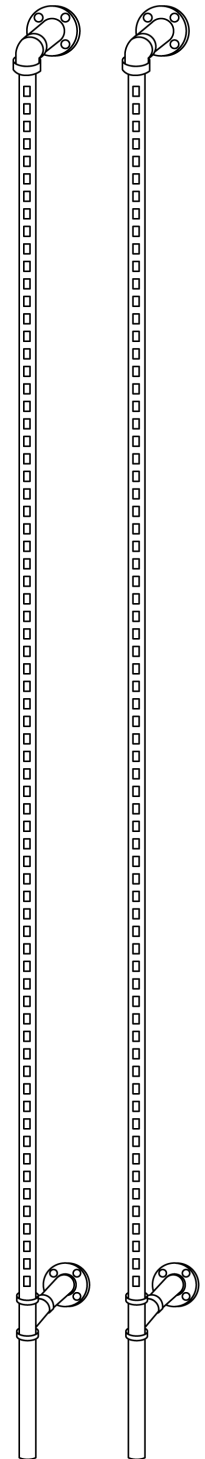
BOUTIQUE PIPE 4' DIMENSIONAL
HANGRAIL (2 EACH)



DRYWALL ANCHOR
(16 EACH)



COUNTERSINK
SCREW (16 EACH)



BOUTIQUE PIPE
OUTRIGGER UPRIGHTS
(2 EACH)

YOU WILL NEED TO SUPPLY YOUR
OWN TAPE MEASURE, LEVEL, DRILL
OR SCREWDRIVER FOR INSTALLATION.

ASSEMBLY INSTRUCTIONS MANUAL

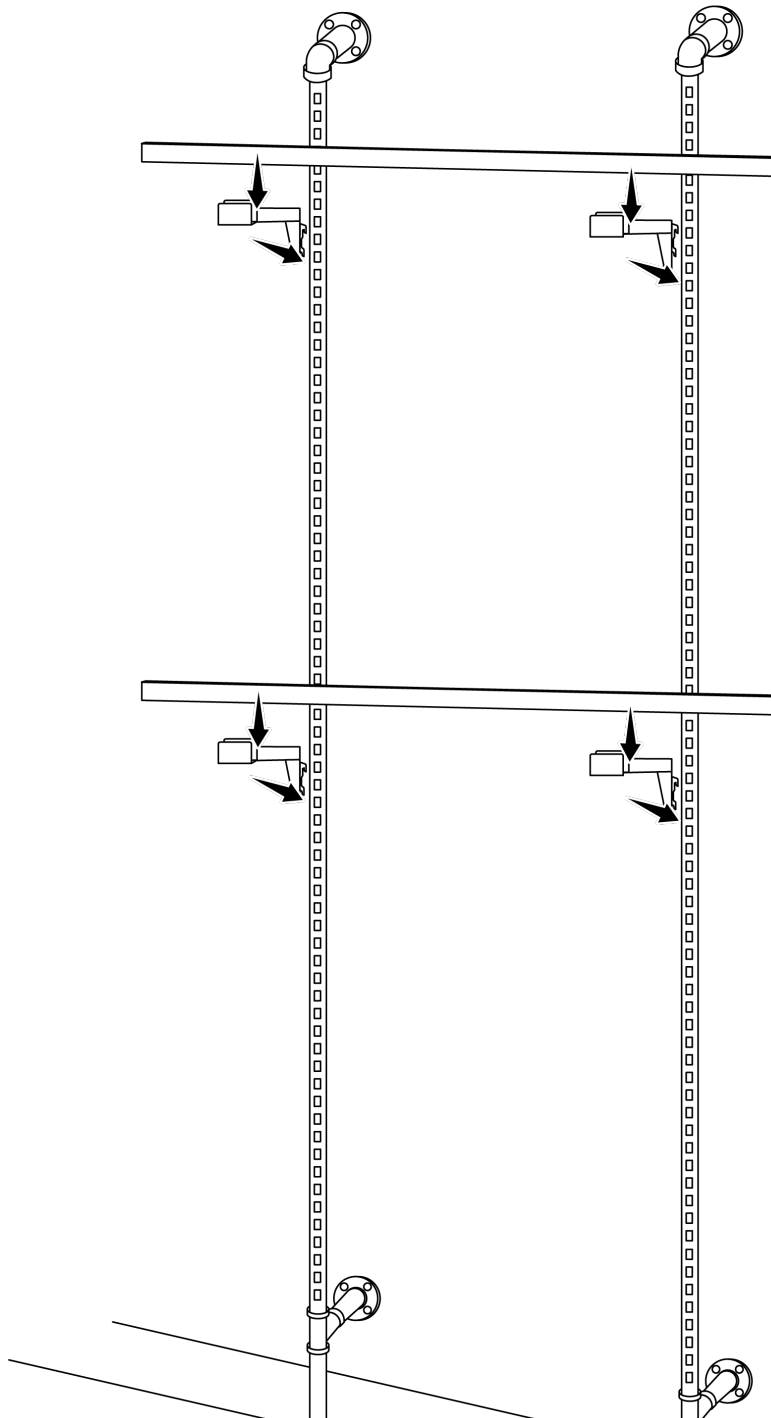
#60868 #60871-BOUTIQUE PIPE OUTRIGGER SYSTEM KIT 3

STEP 1-3

PLEASE REFERENCE PAGES 4 AND 5 FOR OUTRIGGER WALL MOUNTING.

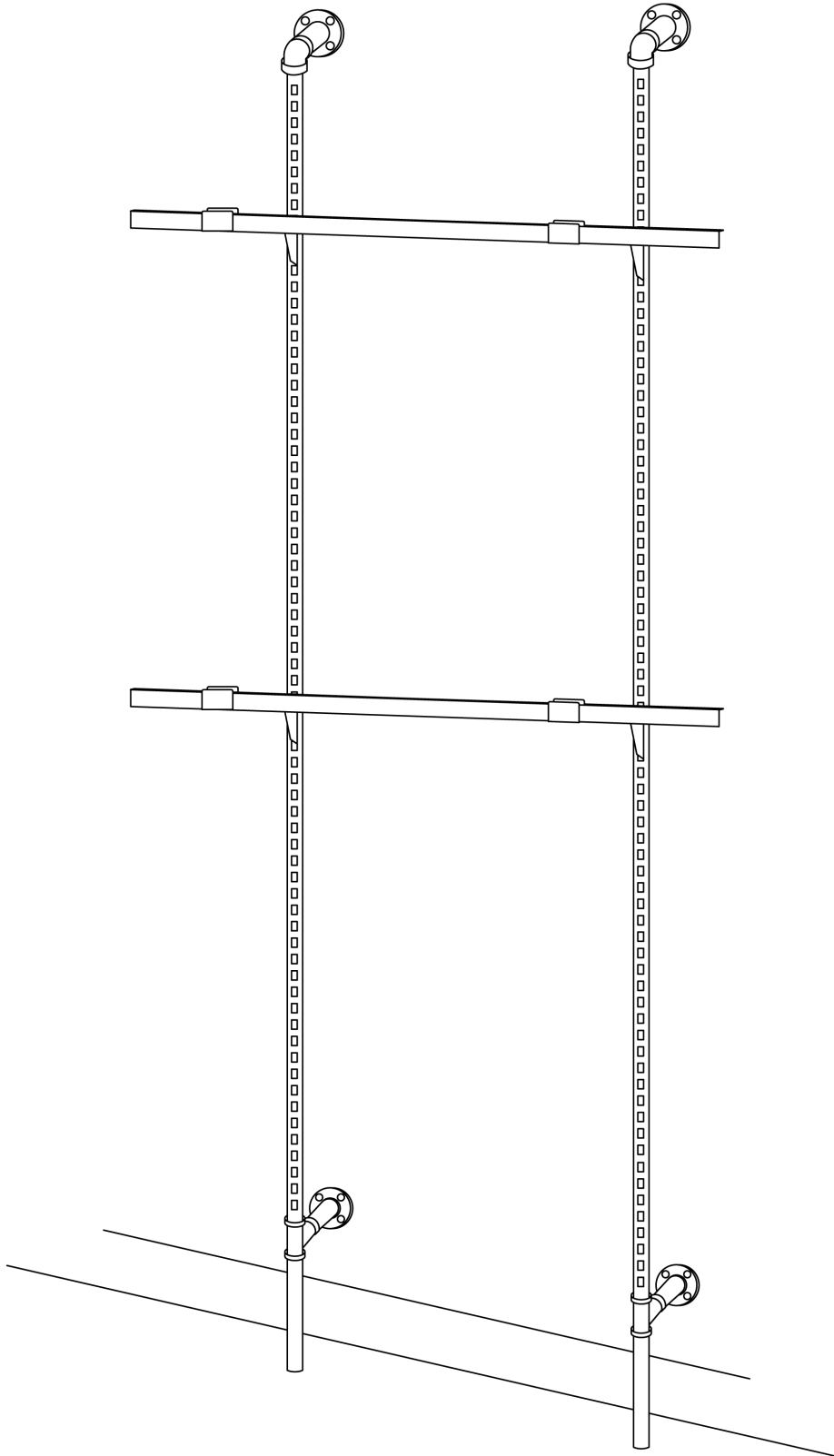
STEP 4

PLACE EACH L-SHAPED HANGRAIL ON TO THE OUTRIGGER IN THE DESIRED LOCATION. NEXT PLACE THE DIMENSIONAL HANGRAIL INTO THE BRACKETS.



ASSEMBLY INSTRUCTIONS MANUAL

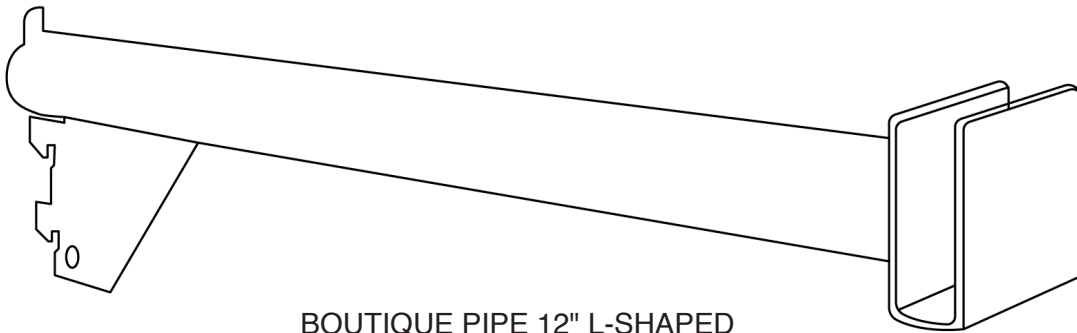
#60869 #60872-BOUTIQUE PIPE OUTRIGGER SYSTEM KIT 4



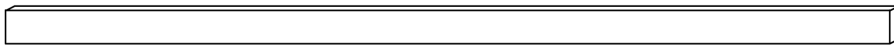
ASSEMBLY INSTRUCTIONS MANUAL

#60869 #60872-BOUTIQUE PIPE OUTRIGGER SYSTEM KIT 4

PARTS IN CARTON:



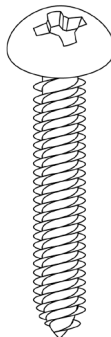
BOUTIQUE PIPE 12" L-SHAPED
HANGRAIL BRACKETS
(4 EACH)



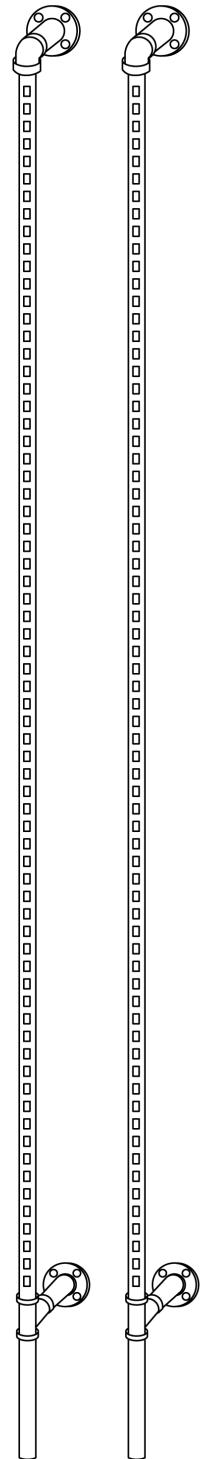
BOUTIQUE PIPE 4' DIMENSIONAL
HANGRAIL (2 EACH)



DRYWALL ANCHOR
(16 EACH)



COUNTERSINK
SCREW (16 EACH)



BOUTIQUE PIPE
OUTRIGGER UPRIGHTS
(2 EACH)

YOU WILL NEED TO SUPPLY YOUR
OWN TAPE MEASURE, LEVEL, DRILL
OR SCREWDRIVER FOR INSTALLATION.

ASSEMBLY INSTRUCTIONS MANUAL

#60869 #60872-BOUTIQUE PIPE OUTRIGGER SYSTEM KIT 4

STEP 1-3

PLEASE REFERENCE PAGES 4 AND 5 FOR OUTRIGGER WALL MOUNTING.

STEP 4

PLACE EACH L-SHAPED HANGRAIL ON TO THE OUTRIGGER IN THE DESIRED LOCATION. NEXT PLACE THE DIMENSIONAL HANGRAIL INTO THE BRACKETS.

