

INSTRUCTION MANUAL FOR INSTALLING LED LIGHT KIT NUMBERS 65-836, 65-846

FOR METAL FRAMED CASES: 70" WALL UNIT

NOTES:

- 1) LIGHT KIT IS FOR LIGHTING (1) SHOWCASE ONLY.
- 2) LIGHT KITS REQUIRES 110 VOLT AC OUTLET POWER SOURCE WITHIN 6 FOOT OF SHOWCASE.
- 3) NO LICENSED ELECTRICIAN IS NEEDED.
- 4) BASIC INSTRUCTION REQUIRES INSTALLATION OF LED LIGHT RAIL, DECOR DOWNTUBE, MAKING SIMPLE PLUG CONNECTIONS TO POWER PACK, ATTACHING THE POWER PACK USING BRACKET AND PLUGGING INTO AC OUTLET.
- 5) STEPS 5, 9 and 11 REQUIRES 2 PEOPLE.

Date: 11/09/10

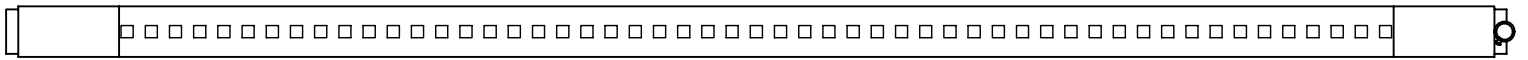
9801 PAGE AVENUE
ST. LOUIS, MO. 63132-1428

TEL: (314) 427-8887 FAX: (314) 427-0004
or (800) 823-8887 or (800) 823-0004

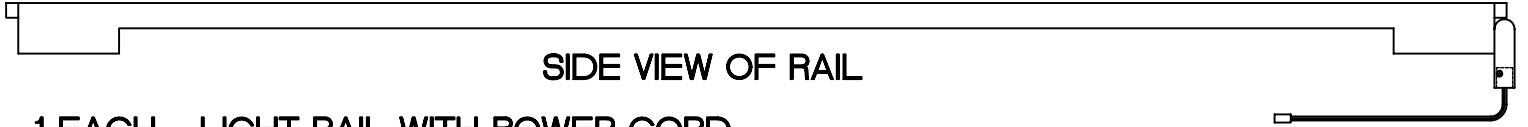


LED LIGHT KIT'S: 65-836, 65-846 FOR METAL FRAMED 70" WALL UNIT

PARTS IN CARTON:

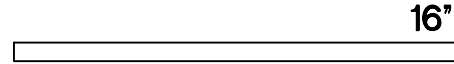


BOTOM VIEW OF RAIL

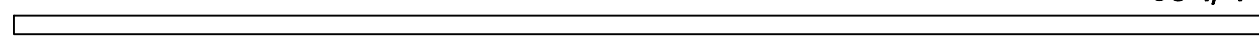


SIDE VIEW OF RAIL

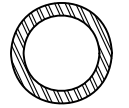
1 EACH - LIGHT RAIL WITH POWER CORD



16"



58 1/4"

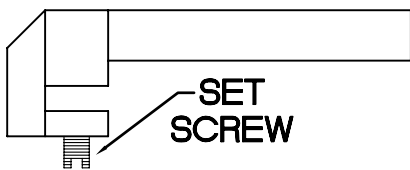


ACTUAL SIZE
HARD CONDUIT

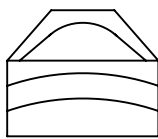
2 EACH - STRAIGHT HARD CONDUIT

HARDWARE FROM BAG TO BE USED FOR THIS INSTALLATION

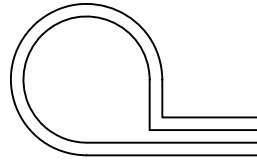
ACTUAL SIZE SHOWN BELOW: IF NOT SURE WHICH PART IS CORRECT THEN
PLACE PIECE ON TOP OF DRAWING BELOW FOR HELP DURING INSTALLATION.



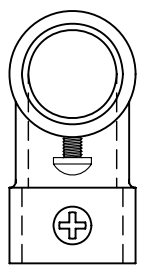
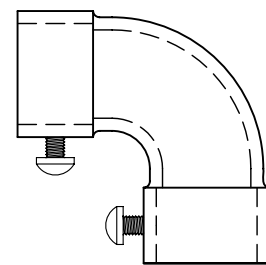
SET
SCREW



2 EACH - LIGHT RAIL BRACKETS
1 WITH SET SCREW and 1 WITHOUT

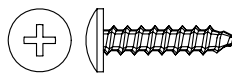


1 EACH - CLAMP
FOR CONDUIT

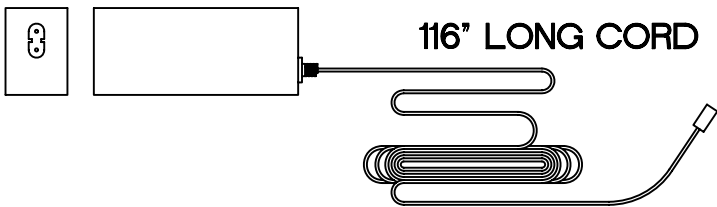


1 EACH - 90 DEGREE ELBOW
WITH SET SCRWs

1 EACH - PHILLIPS ROUND HEAD
SCREW - 3/4" LONG FOR CLAMP

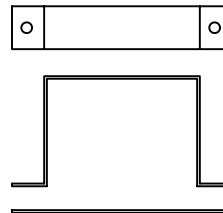


1 EACH - WHITE BOX CONTAINING:



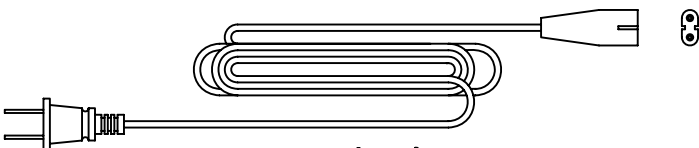
116" LONG CORD

1 EACH - POWER PACK WITH SMALL PLUG END



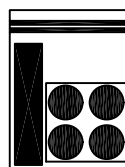
1 EACH - BRACKET
BASE PLATE and
2 SCREWS FOR
POWER PACK

1 EACH - WHITE BOX CONTAINING:



6 FOOT (72") LONG CORD

1 EACH - AC OUTLET POWER CORD

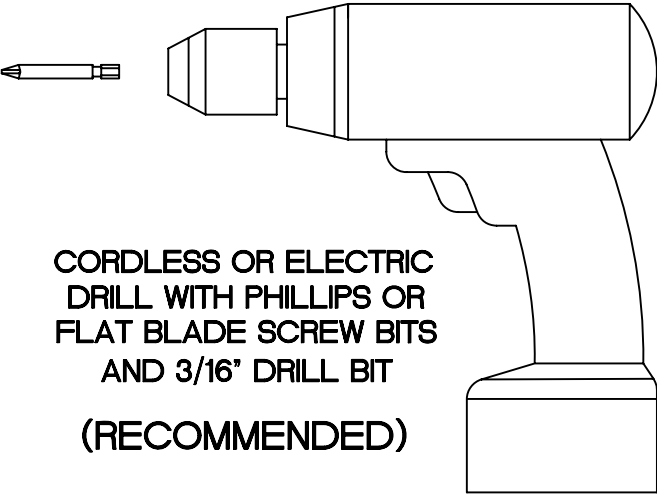


1 EACH
ZIP-LOCK BAG
OF STICK-ON
STICKERS



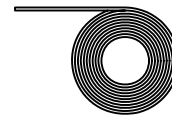
LED LIGHT KIT'S: 65-836, 65-846 FOR METAL FRAMED 70" WALL UNIT

TOOLS NEEDED FOR INSTALLATION

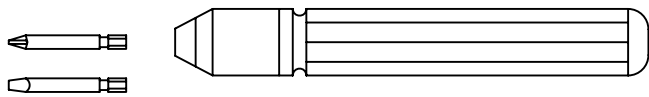


CORDLESS OR ELECTRIC
DRILL WITH PHILLIPS OR
FLAT BLADE SCREW BITS
AND 3/16" DRILL BIT
(RECOMMENDED)

BLANKET, CARDBOARD, OR
SOME KIND OF PROTECT
MATERIAL

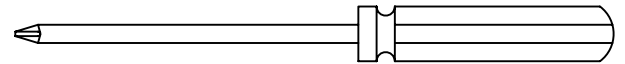


BLACK ELECTRICAL TAPE

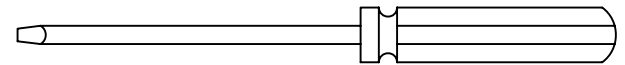


BATTERY SCREW DRIVER WITH
PHILLIPS AND FLAT BLADE BIT

OR



PHILLIPS SCREW DRIVER



FLAT BLADE SCREW DRIVER

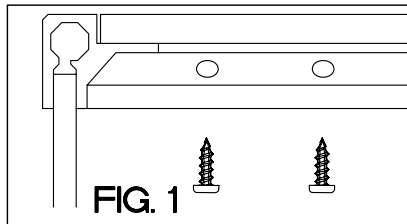
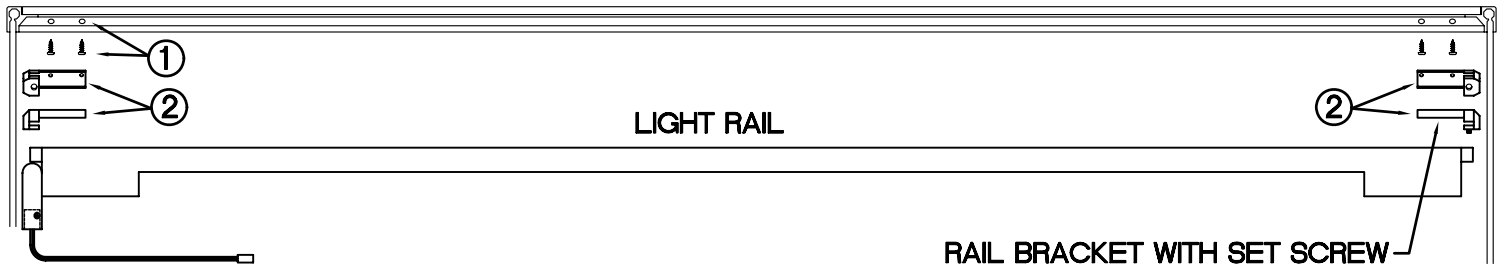
NOTE:

BEFORE YOU START INSTALLING KIT, MAKE ALL
CONNECTIONS AND PLUG INTO AC OUTLET TO
MAKE SURE LIGHT KIT WORKS THEN DISCONNECT
AND INSTALL.



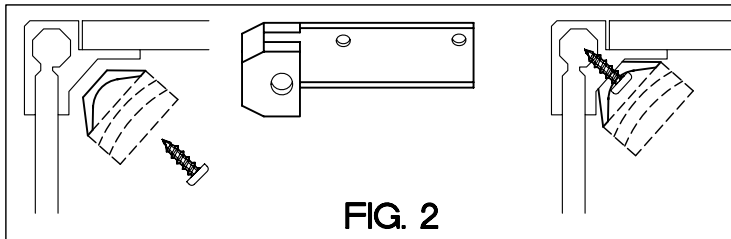
LED LIGHT KIT'S: 65-836, 65-846 FOR METAL FRAMED 70" WALL UNIT

INSTALLATION STEPS :



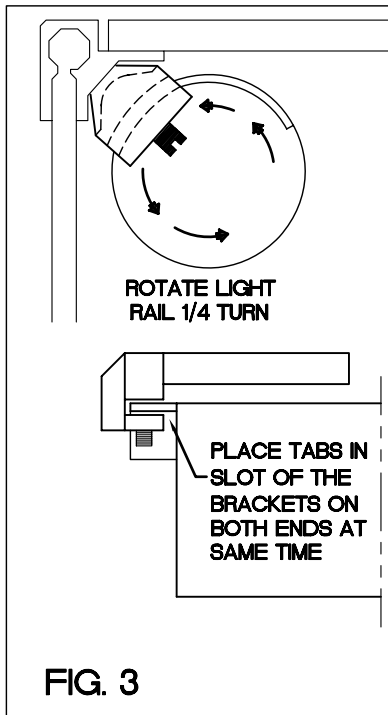
STEP 1 (SEE FIG. 1)

LOOKING INSIDE OF DISPLAY CASE TOWARD FRONT UP IN EACH UPPER CORNER THERE ARE (2) TWO SCREWS THAT SHOULD BE REMOVED. SOME SCREWS MAY BE PHILLIPS HEAD OR STRAIGHT, DO ONE END AT A TIME, GO TO STEP 2 NOW THEN REPEAT THIS PROCEDURE ON OTHER END.



STEP 2 (SEE FIG. 2)

AFTER SCREWS ARE REMOVE TAKE THE LIGHT RAIL BRACKET PLACE WHERE HOLES WILL ALIGN AND SCREW BRACKET IN PLACE REUSING THE SCREWS THAT WAS JUST TAKEN OUT. MAKE SURE THAT THE BRACKET WITH SET SCREW IS INSTALLED ON THE RIGHT SIDE OPPOSITE OF LIGHT RAIL POWER END.

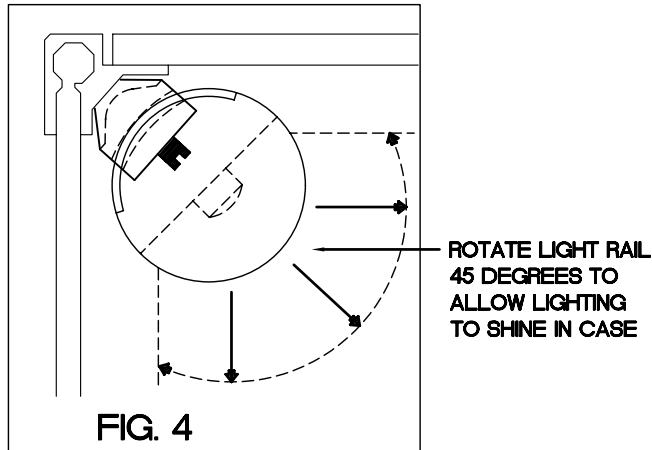


STEP 3 (SEE FIG. 3)

PLACE LIGHT RAIL END TABS IN SLOTS OF BRACKETS ON BOTH ENDS AT SAME TIME ROTATE LIGHT RAIL APPROXIMATELY 1/4 TURN WHICH WILL HOLD RAIL IN PLACE TEMPORARY.

STEP 4 (SEE FIG. 4)

HAVE A FLAT BLADE SCREW DRIVER READY, ROTATE LIGHT RAIL APPROXIMATELY 45 DEGREE ALLOWING LIGHTING TO SHINE DIRECTLY INTO CASE. USING THE SCREW DRIVER TIGHTEN SET SCREW TO HOLD LIGHT IN THIS PERMANENT POSITION.



LED LIGHT KIT'S: 65-836, 65-846

FOR METAL FRAMED 70" WALL UNIT

INSTRUCTION STEPS CONTINUES :

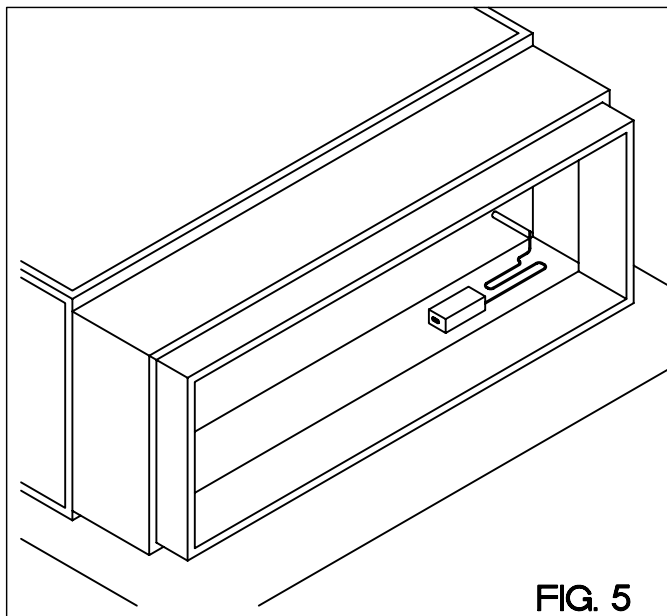


FIG. 5

NOTE:

IF WALL CASE IS NEW / EXISTING NEW: DO NOT INSTALL GLASS SLIDING DOORS, SHELVING OR SHELVING HARDWARE.

EXISTING: REMOVE GLASS DOORS DISPLAY MERCHANDISE, SHELVES AND SHELVING HARDWARE.

NOTE:

2 PEOPLE ARE REQUIRED FOR STEPS 5, 9 and 11.

STEP 5

PUT A BLANKET, CARDBOARD OR SOME KIND OF PROTECTION ON THE FLOOR AT BACK OF WALL UNIT LAY THE WALL UNIT ON ITS BACK ON PROTECTION. TAKE POWER PACK AND UNTIE CORD AND FEED ALL THE POWER CORD THROUGH THE RACEWAY LOCATED IN BOTTOM RIGHT CORNER. SAVE THE TWIST TIE FROM CORD TO BE USED LATER.

STEP 6

TAKE THE PLUG END OF POWER CORD AND FEED IT IN THE LONGEST CONDUIT (58 1/4") CONTINUE UNTIL IT IS FINALLY THROUGH. GENTLY PULL ON CORD AS YOU PUT THE CONDUIT INTO THE HOLE OF BOTTOM AND PUSH THE CONDUIT TO THE BACK OF CASE, GENTLY PULL ON THE CORD TO MAKE SURE IT IS NOT PINCH AND MOVES FREELY. (SEE GIF. 6 and 6A)

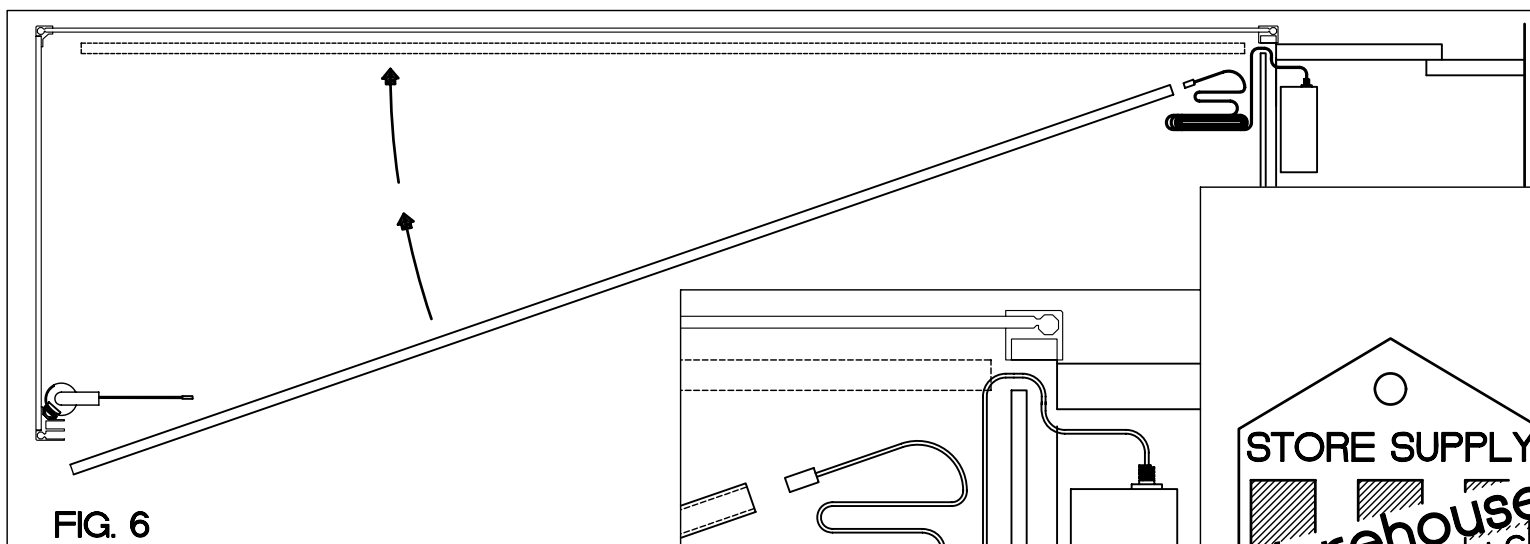


FIG. 6

FIG. 6A

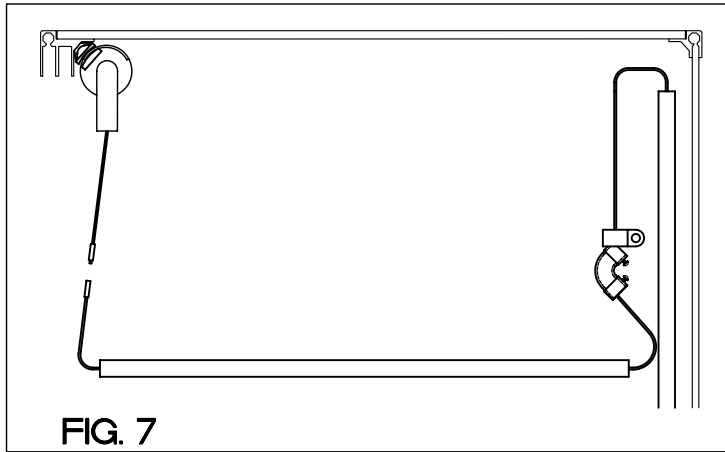
NOTE: CAREFULLY FEED WIRE THROUGH CONDUIT DO NOT YANK OR PULL HARSHLY ON WIRE THAT MIGHT CAUSE SCRAPES OR BARRING OF WIRE.



LED LIGHT KIT'S: 65-836, 65-846

FOR METAL FRAMED 70" WALL UNIT

INSTRUCTION STEPS CONTINUES :

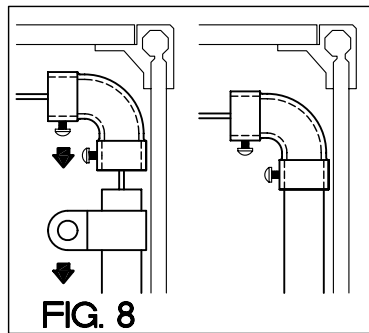
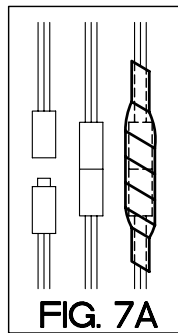


STEP 7

WITH BACK CONDUIT IN POSITION FEED THE POWER CORD THROUGH CLAMP, ELBOW AND THE SHORT CONDUIT AND PLUG INTO THE LIGHT RAIL PLUG. STORE SUPPLY WAREHOUSE RECOMMENDS THAT THE PLUG CONNECTION BE WRAPPED WITH BLACK ELECTRICAL TAPE GOING FROM WIRE TO WIRE TO PREVENT ANY DISCONNECTION (SEE FIG. 7 and 7A).

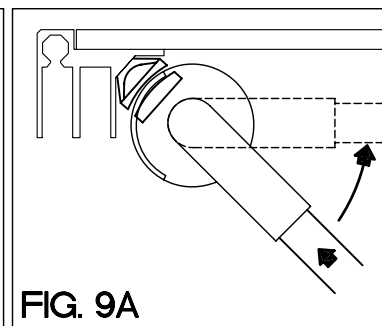
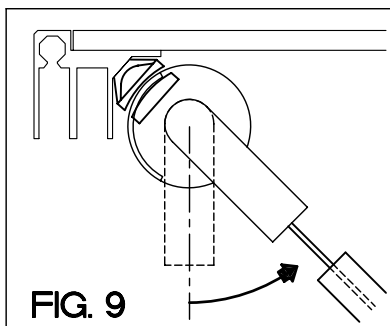
STEP 8

SLIDE CLAMP ON BACK CONDUIT MAKING SURE THE MOUNTING HOLE IS ON THE LEFT OF CONDUIT. NEXT SLIDE THE ELBOW ONTO THE CONDUIT AND TIGHTEN SET SCREW (SEE FIG. 8)



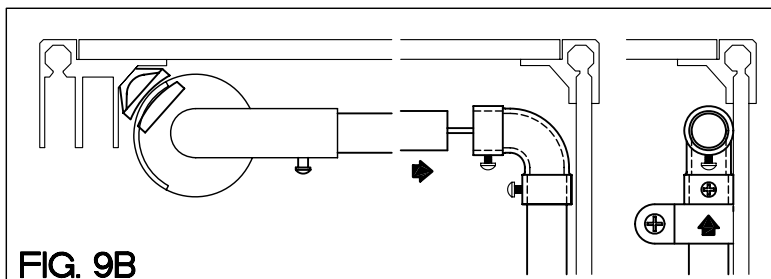
STEP 9 (THIS REQUIRES 2 PEOPLE)

WITH ONE PERSON AT BOTTOM ON CASE NEXT TO POWER PACK HOLDING THE CORD TO GENTLY PULL AS REQUIRE. THE OTHER PERSON AT THE LIGHT RAIL WILL ROTATE POWER DOWNTUBE OF LIGHT RAIL SO THAT THE SHORT CONDUIT GOES INTO DOWNTUBE TIGHTEN SET SCREW ON DOWNTUBE. THIS PERSON WILL HAVE THE PERSON AT CASE BOTTOM TO PULL CORD AS THIS PERSON ROTATES THE DOWNTUBE WITH CONDUIT TO GO STRAIGHT BACK TOWARD THE ELBOW ON BACK CONDUIT. ALIGNING SO THAT BOTH WILL SLIDE TOGETHER MOVING BACK CONDUIT AND PULLING THE SHORT CONDUIT TO THE INSIDE CASE WILL ALLOW THE CONDUIT TO SLIDE INTO ELBOW. ONCE THAT IS DONE PUSH BACK WALL CONDUIT TO THE END OF CASE TIGHTEN THE SET SCREW ON THE ELBOW. THE CLAMP MAY HAVE FELL DOWN ON THE CONDUIT, PULL THE CLAMP UP TO BOTTOM SIDE OF ELBOW AND SCREW TO BACK OF CASE. (SEE FIG. 9, 9A and 9B)



NOTE:

COORDINATION BETWEEN THE 2 PEOPLE IS VERY CRITICAL SO THAT THE CORD IS NOT PINCH DOING STEP 9.



LED LIGHT KIT'S: 65-836, 65-846

FOR METAL FRAMED 70" WALL UNIT

INSTRUCTION STEPS CONTINUES :

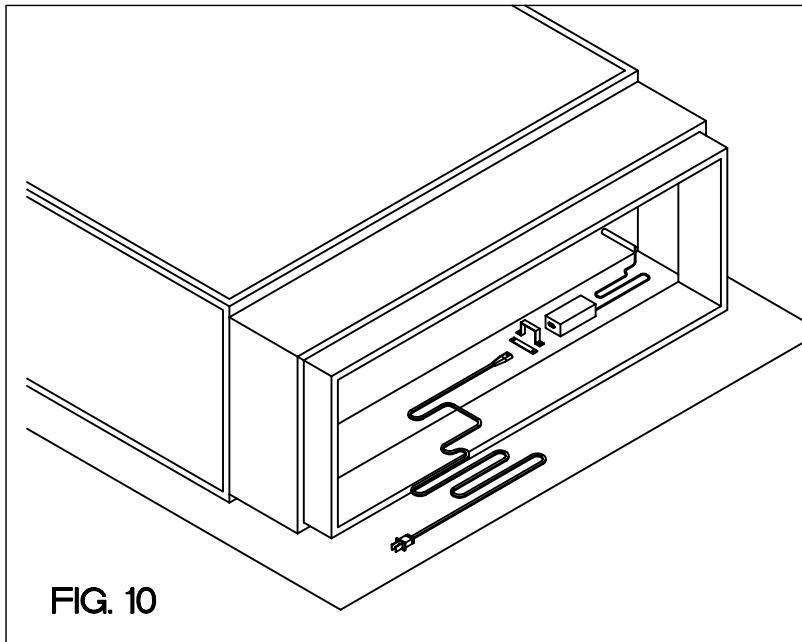


FIG. 10

STEP 10

PULL EXCESS POWER CORD BACK THROUGH RACEWAY IN BASE. PLUG AC OUTLET CORD INTO POWER PACK AND STRETCH OUT CORD TO MAKE SURE IT WILL REACH THE OUTLET AND TO DETERMINE WHERE THE POWER PACK WILL NOW BE LOCATED MOUNT POWER PACK IN PLACE WITH BRACKET AND SCREWS THAT WAS SUPPLIED. REUSE TWIST TIES THAT WAS ORIGINALLY ON CORDS TO TIE UP ANY EXCESS CORD.

STEP 11 (REQUIRES 2 PEOPLE)

LIFT DISPLAY CASE BACK UPRIGHT MAKING SURE THAT THE AC OUTLET CORD IS LOCATED TO PLUG INTO DESIRE OUTLET. PLUG AC CORD INTO OUTLET AND YOUR ARE DONE.

INSTALLATION IS COMPLETE

