

# INSTRUCTION MANUAL FOR INSTALLING LED LIGHT KIT NUMBERS

## 65-834, 65-835, 65-844, 65-845

FOR METAL FRAMED CASES: 48" / 70" EXTRA FULL VISION  
FULL VISION and JEWELRY CASE

### NOTES:

- 1) LIGHT KIT IS FOR LIGHTING (1) SHOWCASE ONLY.
- 2) LIGHT KITS REQUIRES 110 VOLT AC OUTLET POWER SOURCE WITHIN 6 FOOT OF SHOWCASE.
- 3) NO LICENSED ELECTRICIAN IS NEEDED.
- 4) BASIC INSTRUCTION REQUIRES INSTALLATION OF LED LIGHT RAIL, DECOR DOWNTUBE, MAKING SIMPLE PLUG CONNECTIONS TO POWER PACK, ATTACHING THE POWER PACK USING BRACKET AND PLUGGING INTO AC OUTLET.

Date: 11/09/10

9801 PAGE AVENUE  
ST. LOUIS, MO. 63132-1428

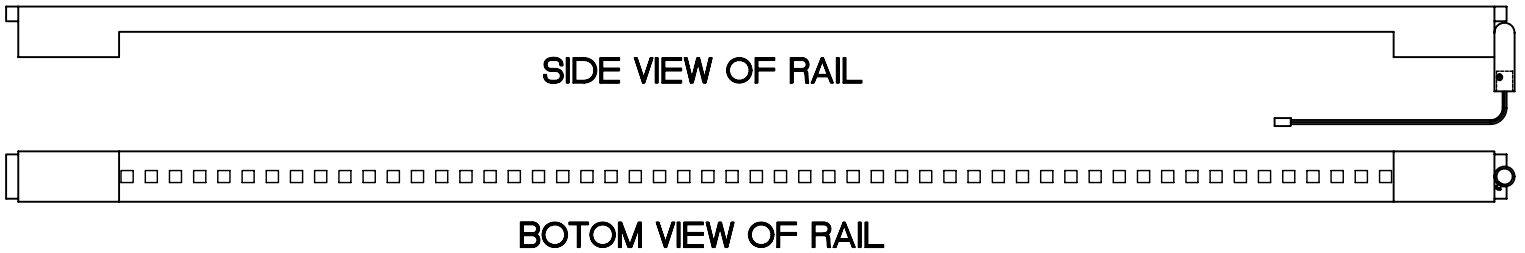
TEL: (314) 427-8887      FAX: (314) 427-0004  
or (800) 823-8887      or (800) 823-0004



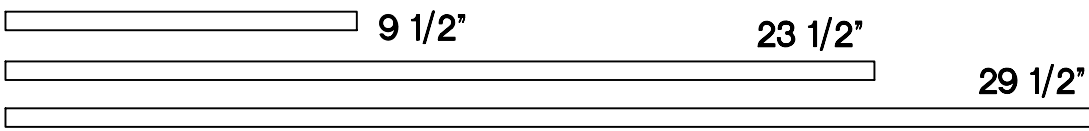
PAGE 1 of 6

# LED LIGHT KIT'S: 65-834, 65-835, 65-844, 65-845 FOR METAL FRAMED 48" and 70" EXTRA VISION, FULL VISION and JEWELRY CASE

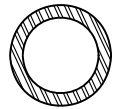
## PARTS IN CARTON:



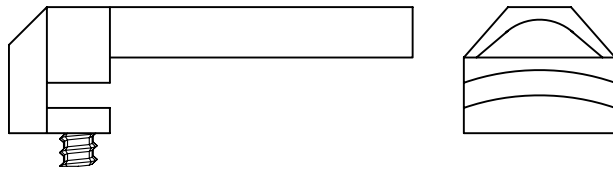
1 EACH - LIGHT RAIL WITH POWER CORD



3 EACH - STRAIGHT HARD CONDUIT



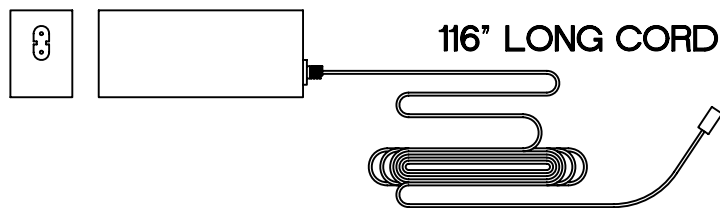
ACTUAL SIZE  
HARD CONDUIT



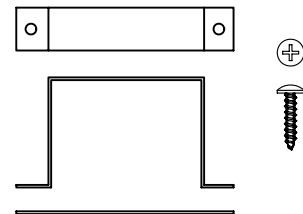
LIGHT RAIL BRACKETS

1 EA. - WITH SET SCREW and 1 EA. WITHOUT

1 EACH - WHITE BOX CONTAINING:

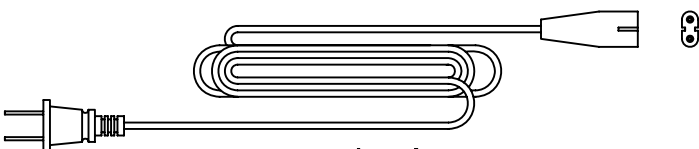


1 EACH - POWER PACK WITH SMALL PLUG END



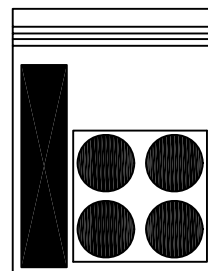
1 EACH - POWER PACK  
WITH BRACKET and SCREWS

1 EACH - WHITE BOX CONTAINING:



6 FOOT (72") LONG CORD

1 EACH - AC OUTLET POWER CORD

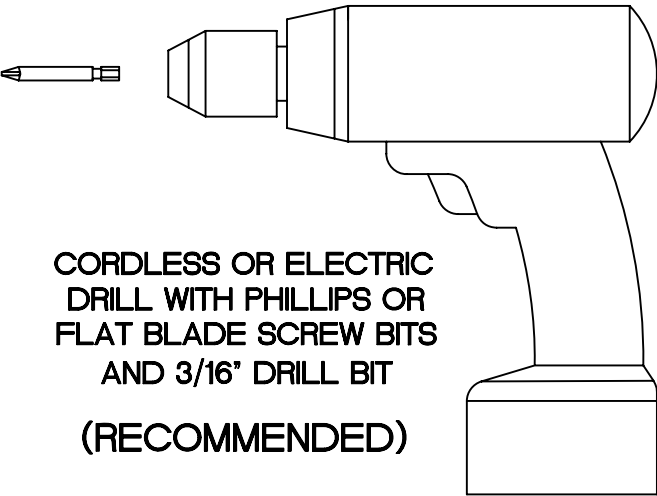


1 EACH - ZIP-LOCK BAG  
OF STICK-ON STICKERS



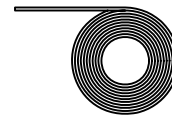
# LED LIGHT KIT'S: 65-834, 65-835, 65-844, 65-845 FOR METAL FRAMED 48" and 70" EXTRA VISION, FULL VISION and JEWELRY CASE

## TOOLS NEEDED FOR INSTALLATION

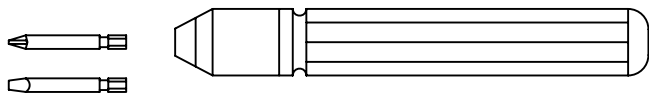


CORDLESS OR ELECTRIC  
DRILL WITH PHILLIPS OR  
FLAT BLADE SCREW BITS  
AND 3/16" DRILL BIT  
(RECOMMENDED)

BLANKET, CARDBOARD, OR  
SOME KIND OF PROTECT  
MATERIAL

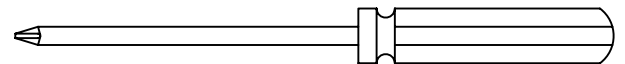


BLACK ELECTRICAL TAPE

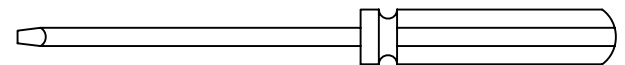


BATTERY SCREW DRIVER WITH  
PHILLIPS AND FLAT BLADE BIT

OR



PHILLIPS SCREW DRIVER



FLAT BLADE SCREW DRIVER

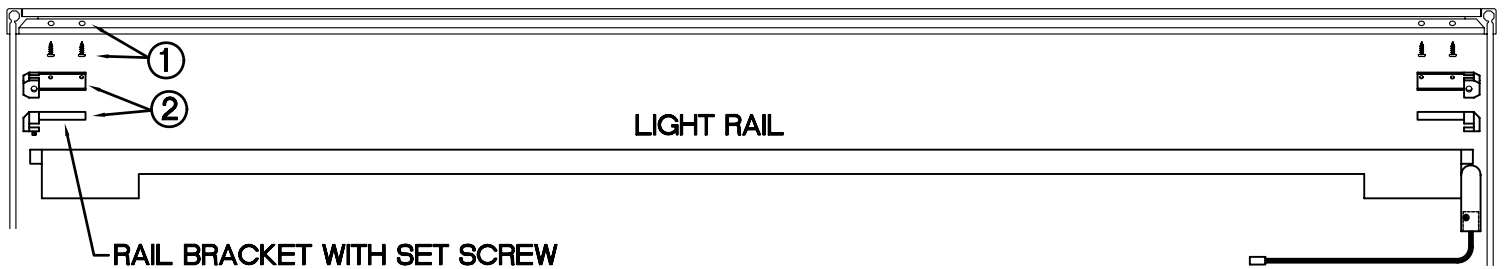
### NOTE:

BEFORE YOU START INSTALLING KIT, MAKE ALL  
CONNECTIONS AND PLUG INTO AC OUTLET TO  
MAKE SURE LIGHT KIT WORKS THEN DISCONNECT  
AND INSTALL.

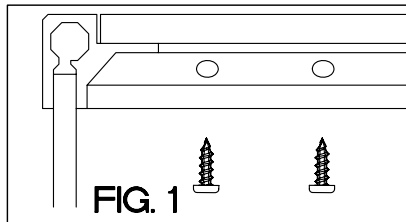


# LED LIGHT KIT'S: 65-834, 65-835, 65-844, 65-845 FOR METAL FRAMED 48" and 70" EXTRA VISION, FULL VISION and JEWELRY CASE

## ASSEMBLY STEPS :

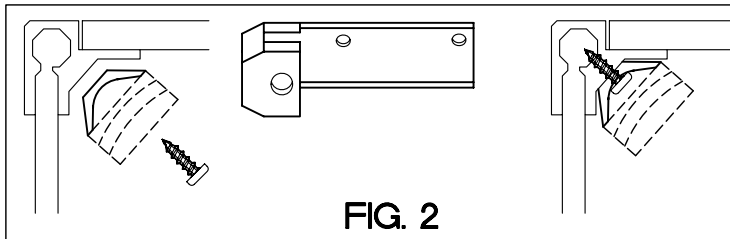


### STEP 1 (SEE FIG. 1)



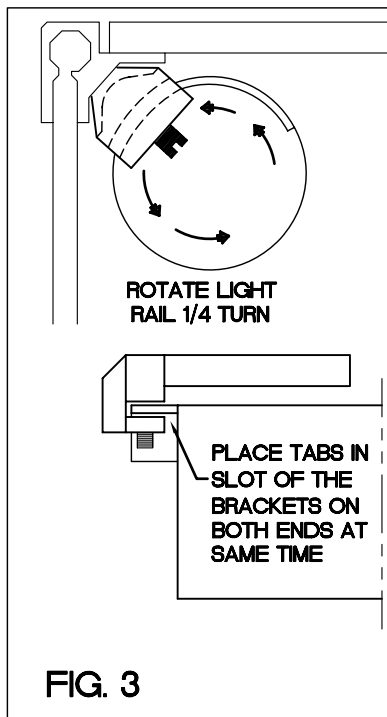
LOOKING INSIDE OF DISPLAY CASE TOWARD FRONT UP IN EACH UPPER CORNER THERE ARE (2) TWO SCREWS THAT SHOULD BE REMOVED. SOME SCREWS MAY BE PHILLIPS HEAD OR STRAIGHT, DO ONE END AT A TIME, GO TO STEP 2 NOW THEN REPEAT THIS PROCEDURE ON OTHER END.

### STEP 2 (SEE FIG. 2)



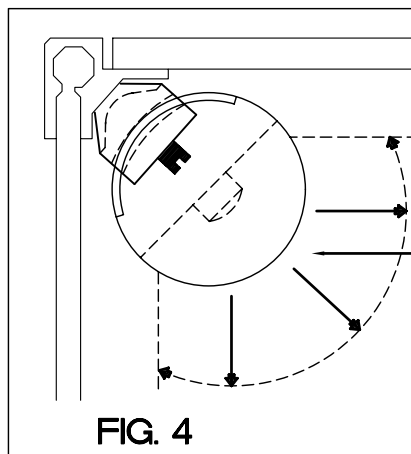
AFTER SCREWS ARE REMOVE TAKE THE LIGHT RAIL BRACKET PLACE WHERE HOLES WILL ALIGN AND SCREW BRACKET IN PLACE REUSING THE SCREWS THAT WAS JUST TAKEN OUT. MAKE SURE THAT THE BRACKET WITH SET SCREW IS INSTALLED ON THE LEFT SIDE OPPOSITE OF LIGHT RAIL POWER END.

### STEP 3 (SEE FIG. 3)



PLACE LIGHT RAIL END TABS IN SLOTS OF BRACKETS ON BOTH ENDS AT SAME TIME ROTATE LIGHT RAIL APPROXIMATELY 1/4 TURN WHICH WILL HOLD RAIL IN PLACE TEMPORARY.

### STEP 4 (SEE FIG. 4)



HAVE A FLAT BLADE SCREW DRIVER READY, ROTATE LIGHT RAIL APPROXIMATELY 45 DEGREE ALLOWING LIGHTING TO SHINE DIRECTLY INTO CASE. USING THE SCREW DRIVER TIGHTEN SET SCREW TO HOLD LIGHT IN THIS PERMANENT POSITION.

ROTATE LIGHT RAIL 45 DEGREES TO ALLOW LIGHTING TO SHINE IN CASE



# LED LIGHT KIT'S: 65-834, 65-835, 65-844, 65-845 FOR METAL FRAMED 48" and 70" EXTRA VISION, FULL VISION and JEWELRY CASE

## ASSEMBLY STEPS CONTINUES :

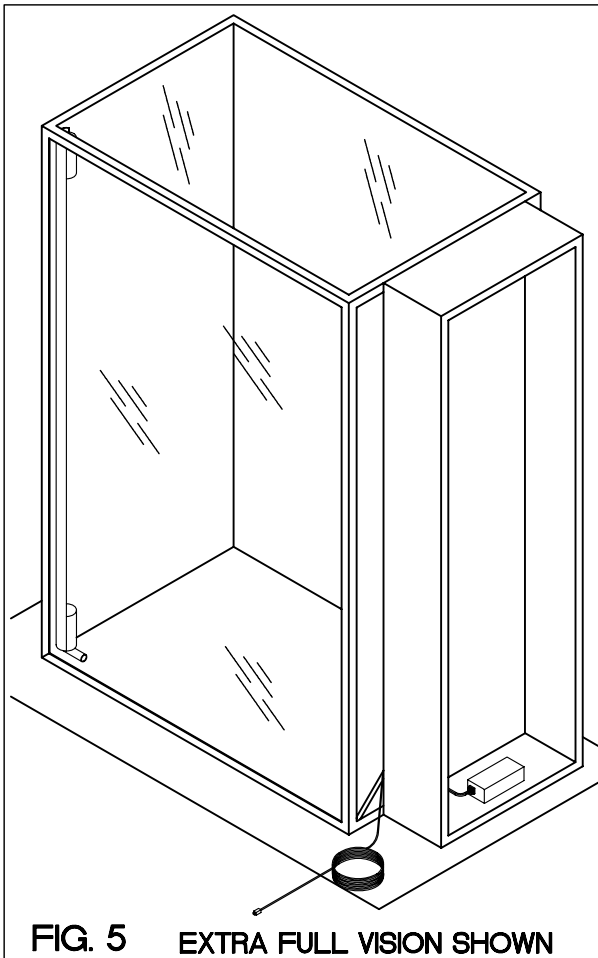


FIG. 5 EXTRA FULL VISION SHOWN

### STEP 5

PUT A BLANKET, CARDBOARD OR SOME KIND OF PROTECTION ON THE FLOOR. LIFT AND PLACE THE DISPLAY CASE ON IT'S END WHERE THE POWER END OF THE LIGHT RAIL IS ON THE PROTECTION (SEE FIG. 6).

### STEP 6

UNTIE POWER CORD OF POWER PACK AND FEED SMALL PLUG END THROUGH RACEWAY ON BOTTOM CORNER, CONTINUE UNTIL THERE IS APPROXIMAYELY 4 FOOT (SEE FIG. 5 and 6).

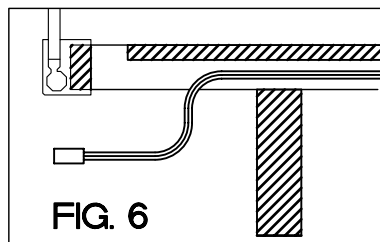
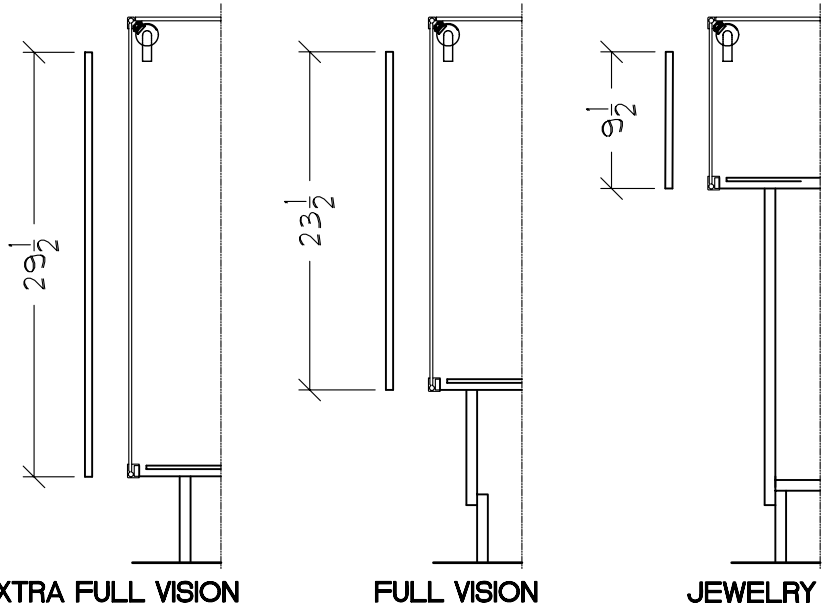


FIG. 6

### STEP 7

SELECT LENGHT OF HARD CONDUIT USING THE DRAWINGS BELOW FOR THE SHOWCASE YOU ARE INSTALLING LIGHT KIT.



EXTRA FULL VISION

FULL VISION

JEWELRY

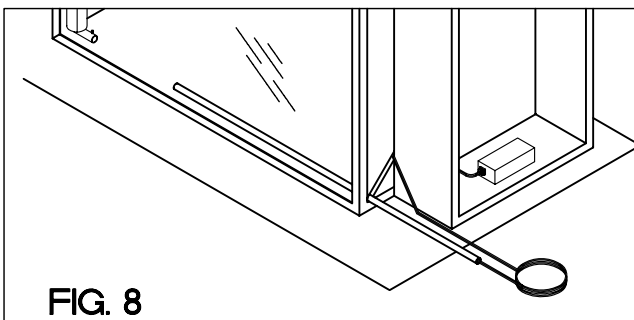
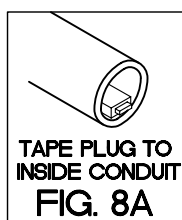


FIG. 8

### STEP 8

AFTER SELECTING CORRECT HARD CONDUIT FEED SMALL END OF POWER CORD THROUGH CONDUIT UNTIL IT COMES OUT THE OTHER END, TAPE PLUG TO INSIDE OF CONDUIT, REMOVE PLASTIC PLUG IN BOTTOM HOLE AND SLIDE TAPE PLUG END THROUGH HOLE STOPPING SHORT OF LIGHT RAIL UNTAPE PLUG AND MAKE CONNECTION TO LIGHT RAIL. STORE SUPPLY RECOMMENDS TO TAPE CONNECTION WITH BLACK ELECTRICAL TAPE GOING FOR WIRE TO WIRE (SEE FIG. 8, 8A, 8B)

NOTE: CAREFULLY FEED WIRE THROUGH CONDUIT DO NOT YANK OR PULL HARSHLY ON WIRE THAT MAY CAUSE BARING OF ANY WIRES.



TAPE PLUG TO INSIDE CONDUIT  
FIG. 8A

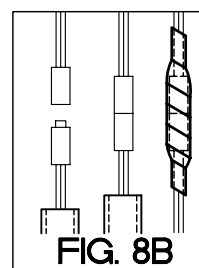


FIG. 8B



# LED LIGHT KIT'S: 65-834, 65-835, 65-844, 65-845 FOR METAL FRAMED 48" and 70" EXTRA VISION, FULL VISION and JEWELRY CASE

## ASSEMBLY STEPS CONTINUES :

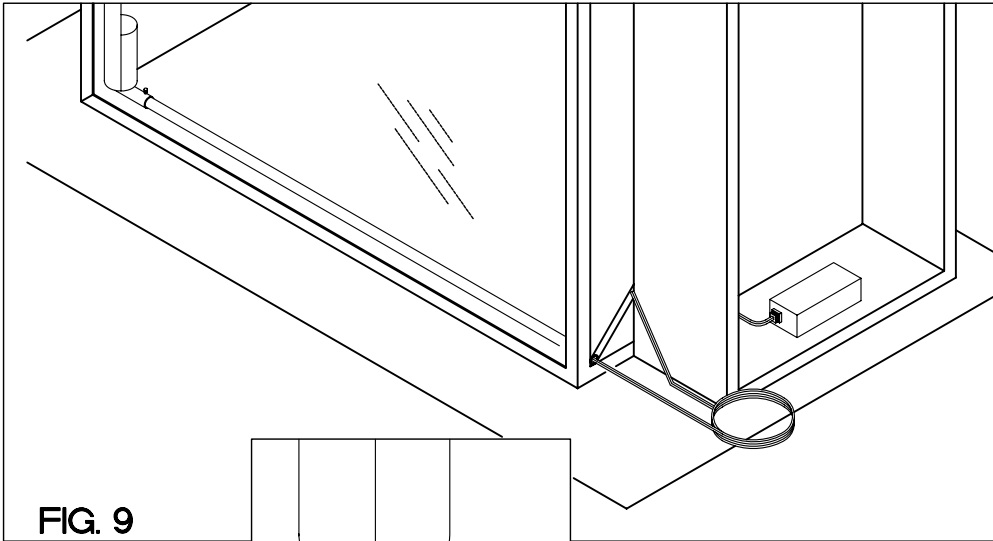


FIG. 9

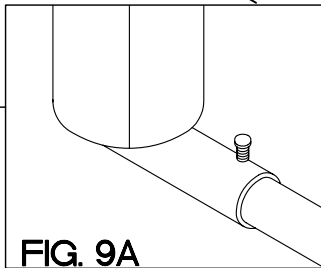


FIG. 9A

### STEP 9

PULL GENTLY ON POWER PACK CORD AT END OF CONDUIT BELOW BOTTOM, WHILE SLIDING CONDUIT UP TO LIGHT RAIL. END TUBE OF LIGHT RAIL, IF NECESSARY TURN TUBE FOR THE CONDUIT TO SLIDE CORRECTLY INTO TUBE. PUSH CONDUIT ABOUT 1/2" INCH INSIDE TUBE AND TIGHTEN SET SCREW (SEE FIG. 9 and 9A)

### STEP 10

PUSH EXCESS POWER CORD BACK THROUGH RACEWAY IN BASE. PLUG AC OUTLET CORD INTO POWER PACK AND STRETCH OUT CORD TO MAKE SURE IT WILL REACH THE OUTLET AND TO DETERMINE WHERE THE POWER PACK WILL NOW BE LOCATED MOUNT POWER PACK IN PLACE WITH BRACKET AND SCREWS THAT WAS SUPPLIED. REUSE TWIST TIES THAT WAS ORIGINALLY ON CORDS TO TIE UP ANY EXCESS CORD.

### STEP 11

LIFT DISPLAY CASE BACK UPRIGHT MAKING SURE THAT THE AC OUTLET CORD IS LOCATED TO PLUG INTO DESIRE OUTLET. PLUG AC CORD INTO OUTLET AND YOUR ARE DONE.

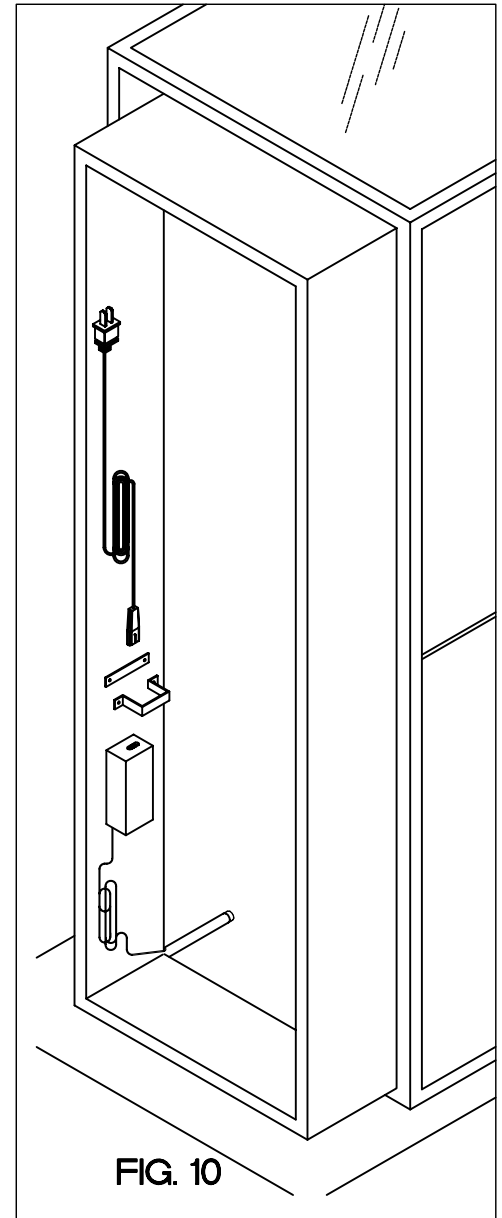


FIG. 10

## INSTALLATION IS COMPLETE

