

# LIGHT KIT INSTALLATION MANUAL

## LED LIGHT KITS NUMBERS

### 65-831, 65-832, 65-841, 65-842

FOR (ECONOMY) DISPLAY CASES: 48 / 70 FULL VISION and JEWELRY

## NOTES:

- 1) LIGHT KIT IS FOR LIGHTING (1) SHOWCASE ONLY.
- 2) LIGHT KITS REQUIRES 110 VOLT AC OUTLET POWER SOURCE WITHIN 6 FOOT OF SHOWCASE.
- 3) NO LICENSED ELECTRICIAN IS NEEDED.
- 4) BASIC INSTRUCTION REQUIRES INSTALLATION OF LED LIGHT RAIL, DECOR DOWNTUBE, MAKING SIMPLE PLUG CONNECTIONS TO POWER PACK, ATTACHING THE POWER PACK BRACKET AND CLAMP OF DOWNTUBE, PLUG INTO AC OUTLET.

### NOTE:

STEP 2 WILL REQUIRE 2 PEOPLE APPROXIMATELY 10 MINUTES PLUS OR MINUS.

Date: 11/09/10

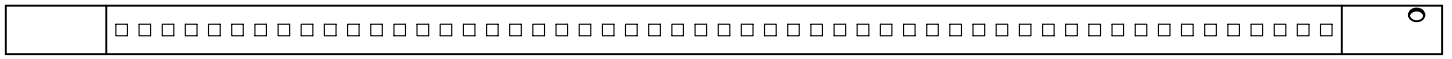
9801 PAGE AVENUE  
ST. LOUIS, MO. 63132-1428

TEL: (314) 427-8887      FAX: (314) 427-0004  
or (800) 823-8887      or (800) 823-0004



**LIGHT KITS: 65-831, 65-832, 65-841, 65-842**  
**FOR (ECONOMY) DISPLAY CASES: 48 / 70 FULL VISION and JEWELRY**

**PARTS IN CARTON:**



**BOTTOM VIEW OF RAIL**

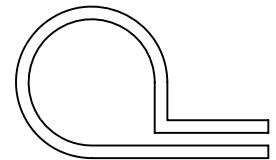
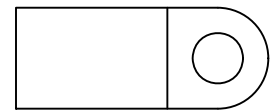


**SIDE VIEW OF RAIL**

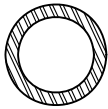
**LIGHT RAIL WITH PLUG-IN WIRE - 1 EACH**



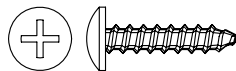
**HARD CONDUIT WITH BENT END - 1 EACH**



**1 EACH - CLAMP  
ACTUAL SIZE SHOWN**

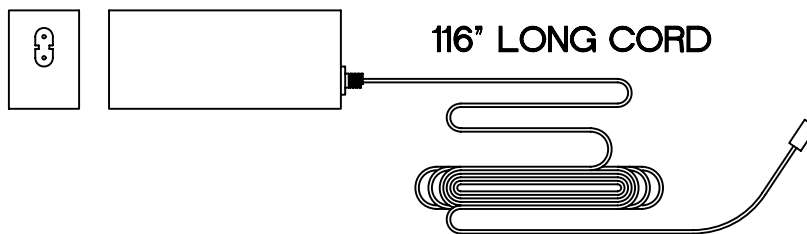


**ACTUAL SIZE  
HARD CONDUIT**

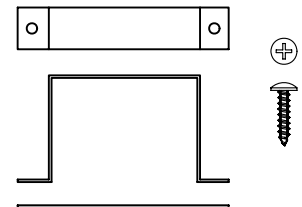


**1 EACH - PHILLIPS ROUND HEAD  
3/4" LONG FOR ATTACHING CLAMP  
ACTUAL SIZE SHOWN**

**1 EACH - WHITE BOX CONTAINING:**



**1 EACH - POWER PACK WITH SMALL PLUG END**

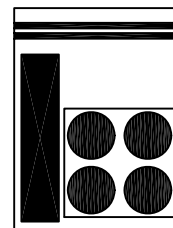


**1 EACH - POWER PACK  
WITH BRACKET and SCREWS**

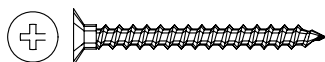
**1 EACH - WHITE BOX CONTAINING:**



**1 EACH - AC OUTLET POWER CORD**



**1 EACH - ZIP-LOCK BAG  
OF STICK-ON STICKERS**

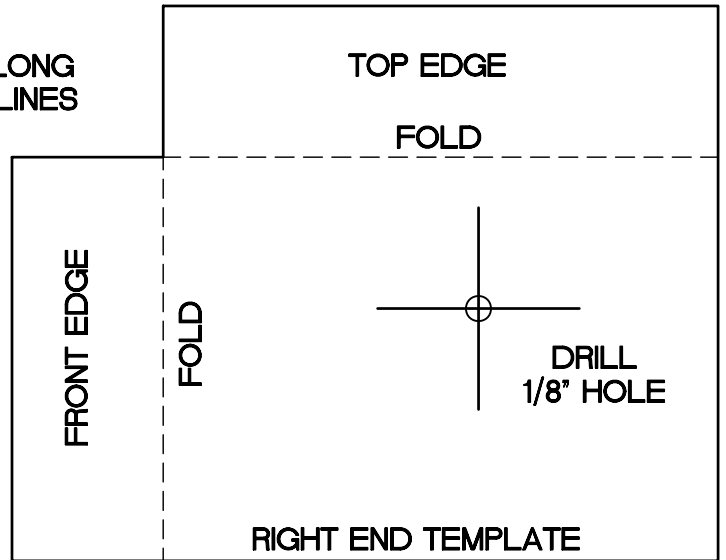
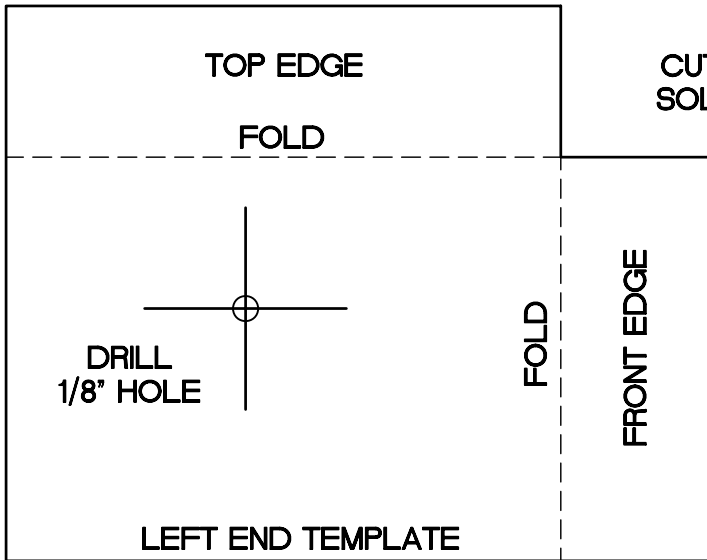


**2 EACH - PHILLIPS FLAT HEAD SCREWS  
1 1/4" LONG FOR ATTACHING LIGHT RAIL  
ACTUAL SIZE SHOWN**



**LIGHT KITS: 65-831, 65-832, 65-841, 65-842**  
**FOR (ECONOMY) DISPLAY CASES: 48 / 70 FULL VISION and JEWELRY**

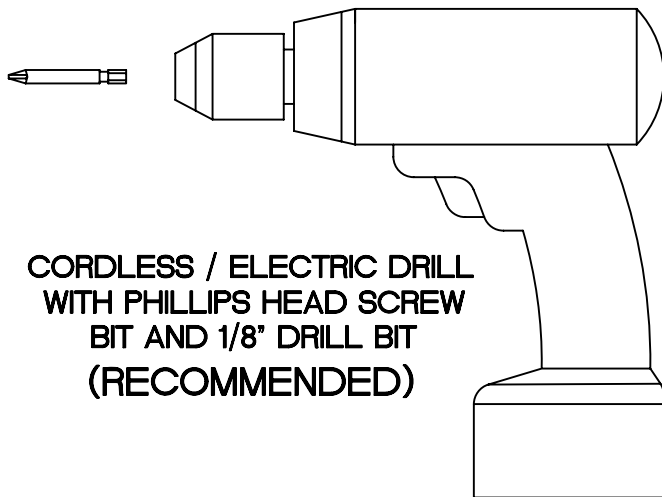
**DRILLING TEMPLATES: FOR ATTACHING LIGHT RAIL**



CUT ALONG SOLID LINES

**TOOLS NEEDED FOR INSTALLATION**

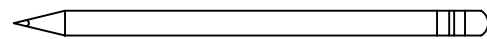
(RECOMMENDED)



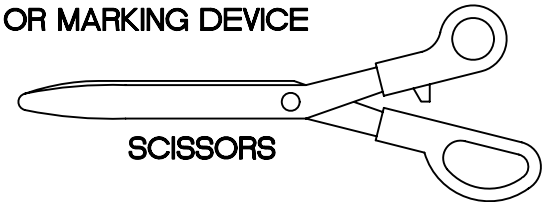
**CORDLESS / ELECTRIC DRILL WITH PHILLIPS HEAD SCREW BIT AND 1/8\" DRILL BIT (RECOMMENDED)**



**ACTUAL SIZE OF 1/8\" DRILL BIT (LENGTH WILL VARY)**



**PENCIL OR MARKING DEVICE**

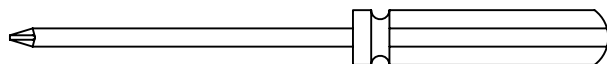


**SCISSORS**

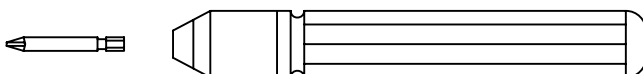
**\* SCOTCH OR MASKING TAPE TO ATTACH TEMPLATES ABOVE TO DISPLAY CASE**

**\* BLANKET, CARDBOARD, OR SOME KIND OF PROTECTION MATERIAL: 24\" x 36\" NOT REQUIRED BY RECOMMENDED**

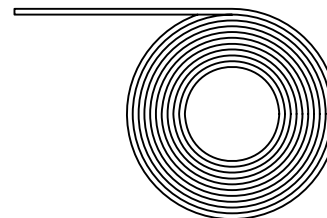
OR



**PHILLIPS SCREW DRIVER**



**BATTERY SCREW DRIVER WITH PHILLIPS BIT**



**BLACK ELECTRICAL TAPE NOT REQUIRED BUT RECOMMENDED**

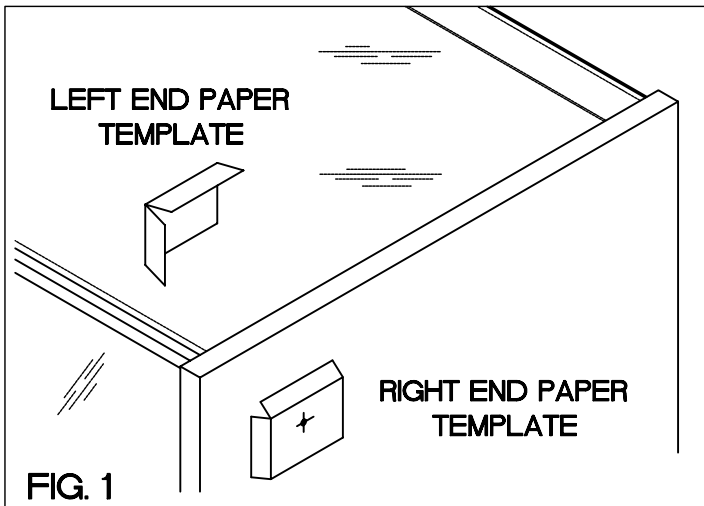


# LED LIGHT KITS: 65-831, 65-832, 65-841, 65-842 FOR (ECONOMY) DISPLAY CASES: 48 / 70 FULL VISION and JEWELRY

## INSTRUCTION STEPS:

### NOTE:

BEFORE YOU START INSTALLING KIT, MAKE ALL CONNECTIONS AND PLUG INTO AC OUTLET TO MAKE SURE LIGHT KIT WORKS THEN DISCONNECT AND INSTALL.



### STEP 1 (SEE FIG. 1)

CUTOUT PAPER TEMPLATES FROM PAGE 3 OF THIS INSTRUCTION MANUAL. FOLD THE TEMPLATES AS INDICATED, PLACE AND TAPE EDGES OF TEMPLATES TO END PANEL EDGES FRONT, TOP AND SIDE OF THE DISPLAY CASE. NOTE: FRONT OF CASE IS GLASS. USING DRILL WITH 1/8" DRILL BIT PLACE TIP OF BIT ON TEMPLATE TRY HOLDING THE DRILL SQUARE AND STRAIGHT TO END PANEL DRILL HOLE IN BOTH END PANELS.

### IF DISPLAY IS EXISTING:

IT IS BEST TO REMOVE DISPLAY ITEMS, BACK DOORS AND ALL GLASS SHELVING AND HARDWARE BEFORE DRILLING AND INSTALLING THE LIGHT KIT.

## STEP 2 REQUIRES (2) PEOPLE

### STEP 2 (SEE FIG. 2 and 2A)

ONE PERSON INSIDE CASE USING A PENCIL MAKES A MARK ABOUT 1/8" DIRECTLY ABOVE HOLES THAT WAS DRILLED. (SEE FIG. 2) THIS WILL HELP ALIGN LIGHT RAIL IN CORRECT PLACE. THIS PERSON WILL MAKE SURE THE POWER PLUG END OF LIGHT RAIL IS DIRECTLY ABOVE HOLE IN BOTTOM OF SHOWCASE WHICH HAS A PLASTIC PLUG LOCATED IN THE RIGHT CORNER AS YOU LOOK TO THE GLASS FRONT. A PERSON ON THE OUTSIDE OF CASE ON THE SAME END WILL SCREW THE 1 1/4" SCREW INTO THE PREDRILLED HOLE UNTIL THE TIP OF SCREW IS BARELY SHOWING ON THE INSIDE OF CASE (SEE FIG. 2A). THE PERSON INSIDE OF CASE WILL PLACE THE TOP OF LIGHT RAIL JUST BELOW PENCIL MARKING WHICH WILL ALIGN THE SCREW TO SCREW INTO CHANNEL OF RAIL (SEE FIG. 2B). SCREW INTO RAIL UNTIL SNUG. THIS WILL ALLOW THE RAIL TO TURN LATER FOR INSTALLING DOWNTUBE, REPEAT SAME PROCEDURE FOR OTHER END.

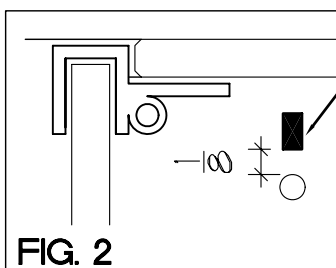


FIG. 2

ALIGN TOP OF RAIL WITH BOTTOM PENCIL MARKING

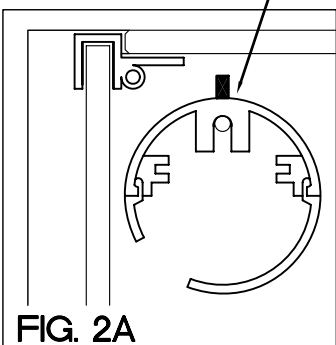


FIG. 2A

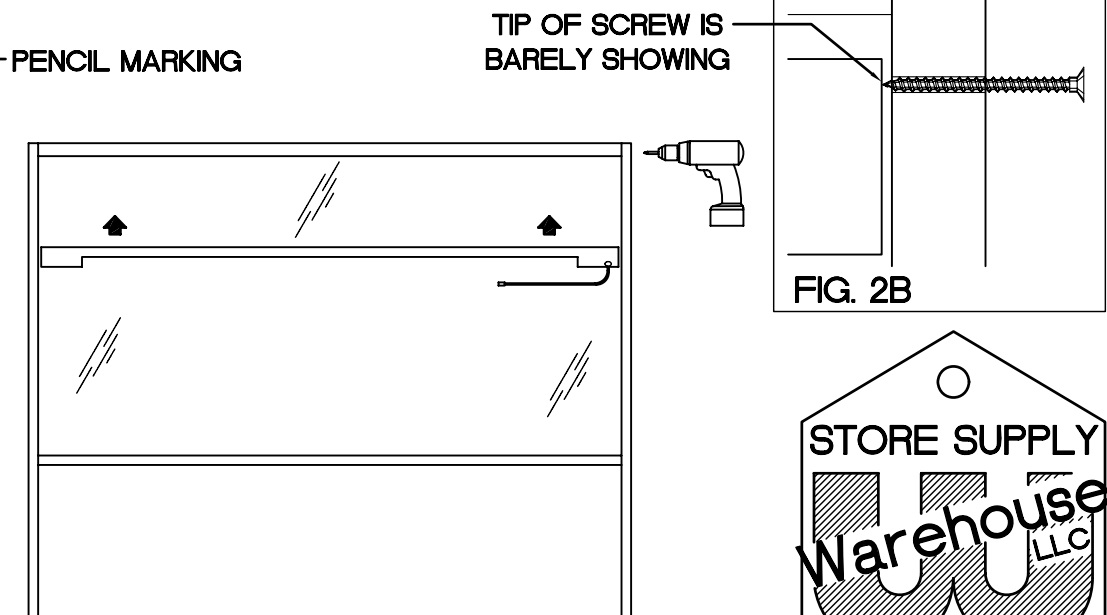


FIG. 2B

LOOKING INTO CASE FROM BACKSIDE

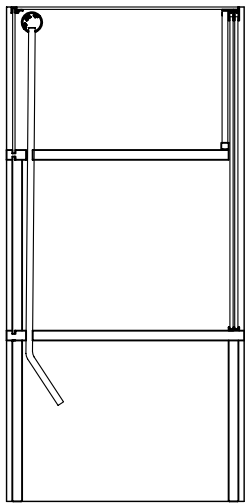


# LED LIGHT KITS: 65-831, 65-832, 65-841, 65-842 FOR (ECONOMY) DISPLAY CASES: 48 / 70 FULL VISION and JEWELRY

## INSTALLATION CONTINUES:

### STEP 3

PUT A BLANKET, CARDBOARD OR SOME KIND OF PROTECTION MATERIAL ON THE FLOOR AT THE SIDE OF CASE WHERE THE WIRING IS COMING OUT OF LIGHT RAIL. LIFT CASE AND PLACED THAT END DOWN ON THE PROTECTION. (SEE FIG.3 BELOW)



JEWELRY CASE

NOTE: JEWELRY CASE HAS (2) BOTTOMS FOR THE HARD CONDUIT TO SLIDE THROUGH

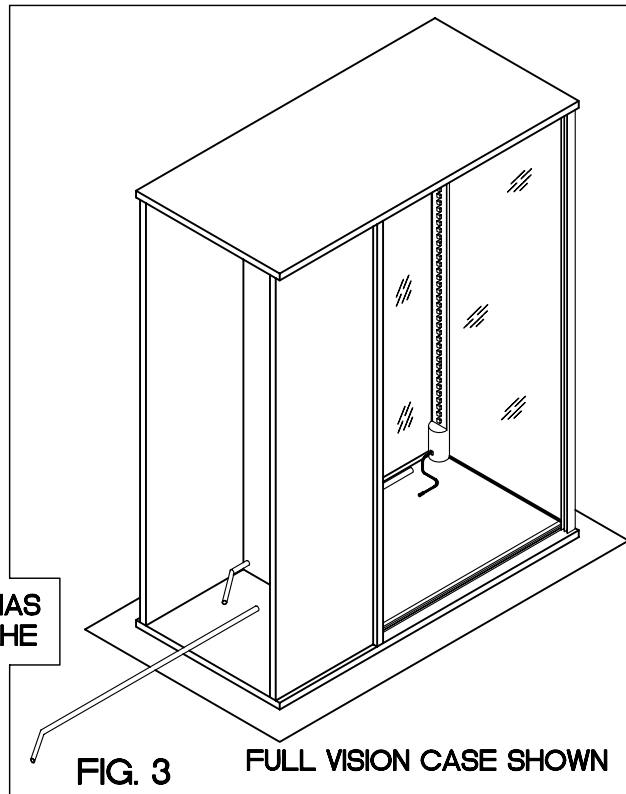


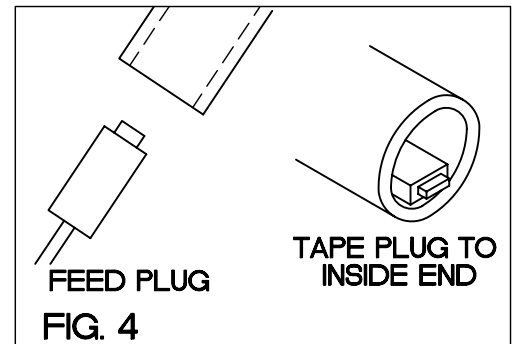
FIG. 3 FULL VISION CASE SHOWN

### STEP 5

REMOVE PLUG FROM BOTTOM OF DISPLAY CASE, SLIDE END OF CONDUIT WITH THE TAPE END PLUG THROUGH HOLE IN BOTTOM STOPPING SHORT OF LIGHT RAIL. UNTAPE THE END PLUG FROM INSIDE OF CONDUIT AND PLUG TO THE WIRE OUT OF LIGHT RAIL. STORE SUPPLY RECOMMENDS THAT AFTER PLUGGING TOGETHER TO PREVENT ANY SEPARATION TAPE THE PLUGS USING BLACK ELECTRICAL TAPE FROM WIRE TO WIRE. (SEE FIG. 5 TO RIGHT)

### STEP 4

FEED SMALL PLUG END OF POWER PACK CORD INTO THE BENT END OF CONDUIT WHEN THROUGH TAPE THE PLUG TO INSIDE OF CONDUIT END TO PREVENT FROM PULLING BACK IN CONDUIT (SEE FIG. 4 BELOW).



FEED PLUG

TAPE PLUG TO INSIDE END

FIG. 4

### NOTE:

CAREFULLY FEED THE WIRE THROUGH DOWNTUBE, DO NOT PULL HARSHLY OR YANK ON TO CAUSE SCRAPES.

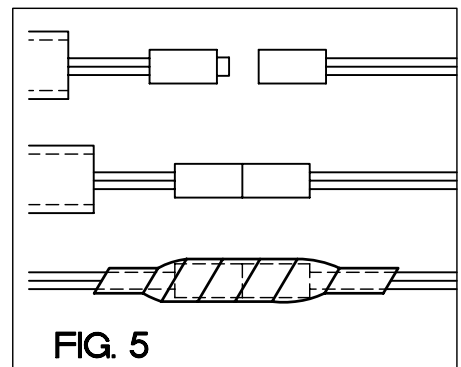
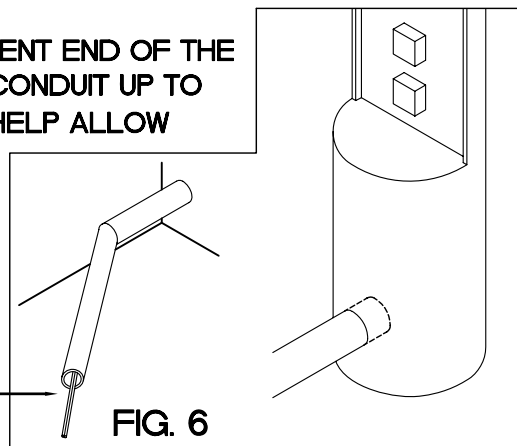


FIG. 5

### STEP 6

PULL GENTLY ON POWER PACK CORD AT BENT END OF THE CONDUIT BELOW BOTTOM, WHILE SLIDING CONDUIT UP TO LIGHT RAIL. TURNING THE LIGHT RAIL WILL HELP ALLOW CONDUIT TO SLIDE CORRECTLY INTO RAIL. SLIDE INTO LIGHT RAIL ABOUT 1/2" INCH. (SEE FIG. 6 TO RIGHT)



PULL GENTLY ON POWER PACK CORD WIRE

FIG. 6



# LED LIGHT KITS: 65-831, 65-832, 65-841, 65-842 FOR (ECONOMY) DISPLAY CASES: 48 / 70 FULL VISION and JEWELRY

## INSTALLATION CONTINUES:

### STEP 7

SEPARATE CLAMP LEGS TO SLIP OVER CORD, THEN SLIDE CLAMP ONTO THE END OF CONDUIT SCREW CLAMP TO SIDE PANEL USING THE PHILLIPS ROUND HEAD 3/4" LONG SCREW. (SEE FIG. 7)

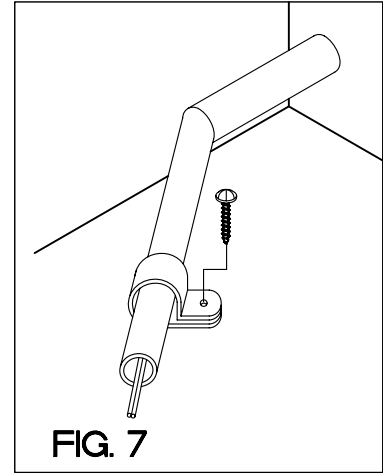


FIG. 7

### STEP 8

PLUG AC OUTLET CORD INTO POWER PACK AND STRETCH OUT CORD TO MAKE SURE IT WILL REACH THE OUTLET. DETERMINE WHERE THE POWER PACK WILL BE LOCATED, THEN MOUNT IN PLACE WITH BRACKET AND SCREWS THAT WAS SUPPLIED. REUSE TWIST TIES FROM CORDS TO TIE UP ANY EXCESS CORD.

### STEP 9

LIFT DISPLAY CASE BACK UPRIGHT MAKING SURE THAT THE AC OUTLET CORD IS LOCATED TO PLUG INTO DESIRE OUTLET. TIGHTEN THE (2) TWO SCREWS IN END PANELS TO LIGHT RAIL, SELECT A MATCHING STICK-ON STICKER THAT MATCHES DISPLAY CASE AND PLACE OVER SCREW HEAD. (SEE FIG. 9) PLUG AC CORD INTO OUTLET.

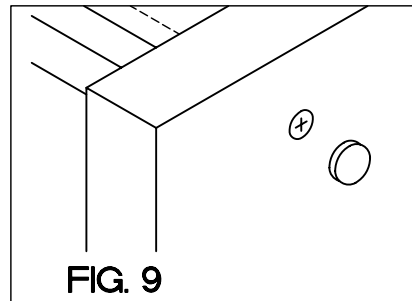


FIG. 9



INSTALLATION IS COMPLETE