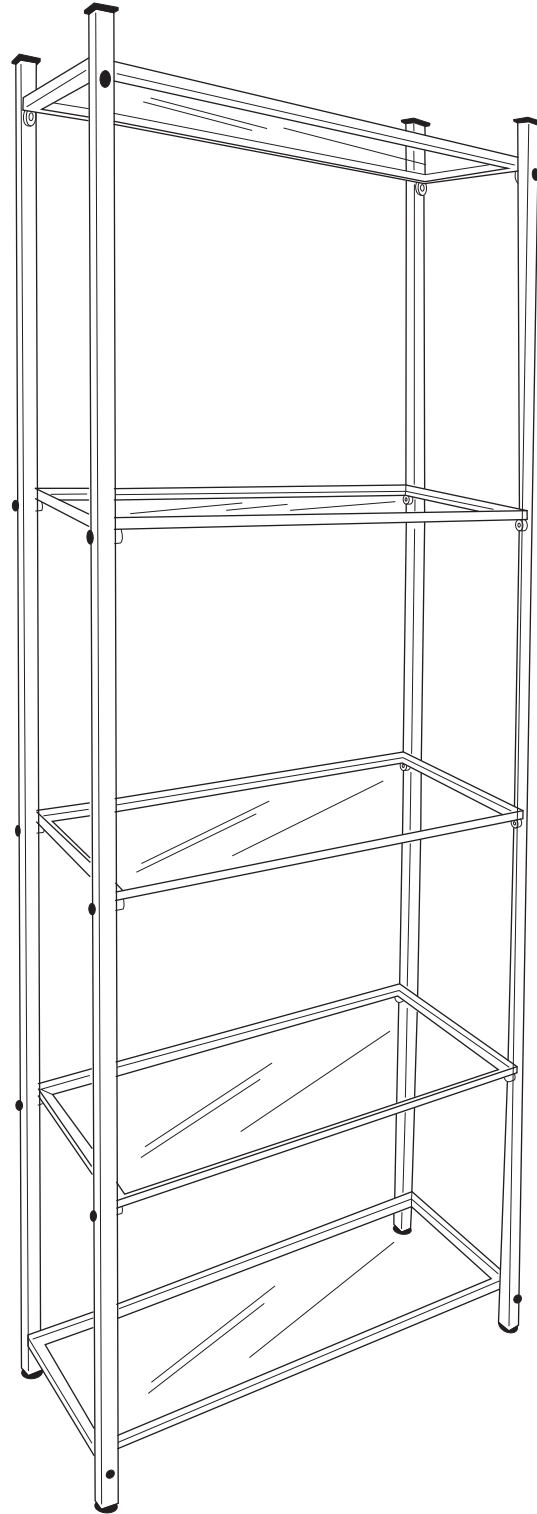


ASSEMBLY INSTRUCTIONS MANUAL

#60557 (IVORY) #60558 (COBBLESTONE)
#60559 (RAW STEEL) BOUTIQUE ETAGERE



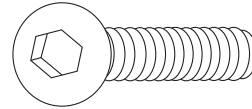
ASSEMBLY INSTRUCTIONS MANUAL

#60557 (IVORY) #60558 (COBBLESTONE)

#60559 (RAW STEEL) BOUTIQUE ETAGERE

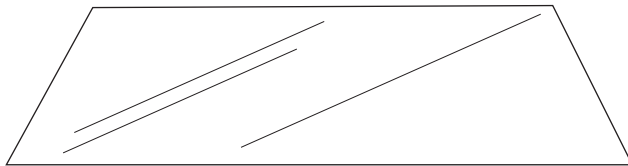
PARTS IN CARTON:

ALLEN WRENCH

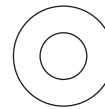
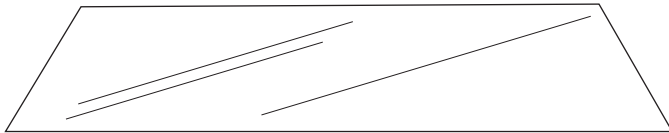


ALLEN WRENCH SCREWS
(20 EACH)

GLASS SHELF (A)
(2 EACH - 28 3/8" X 12 3/8")



GLASS SHELF (B)
(3 EACH - 30 3/8" X 12 3/8")

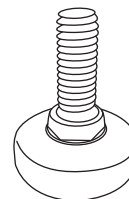


WASHERS
(20 EACH)

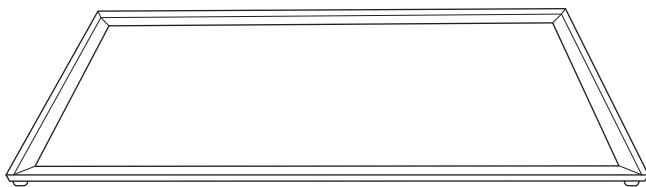
DISPLAY POST
(4 EACH)



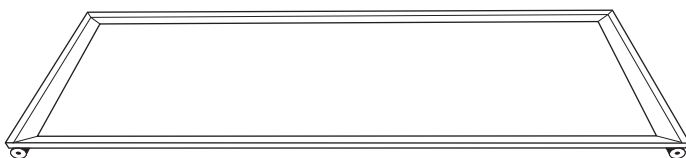
ADJUSTABLE GLIDES
(4 EACH)



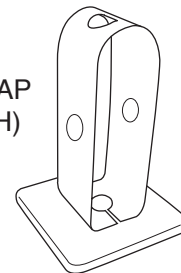
GLASS SHELF FRAME (A)
(2 EACH - 28 5/8" X 12 1/2")



GLASS SHELF FRAME (B)
(3 EACH - 30 5/8" X 10 1/2")



POST CAP
(4 EACH)



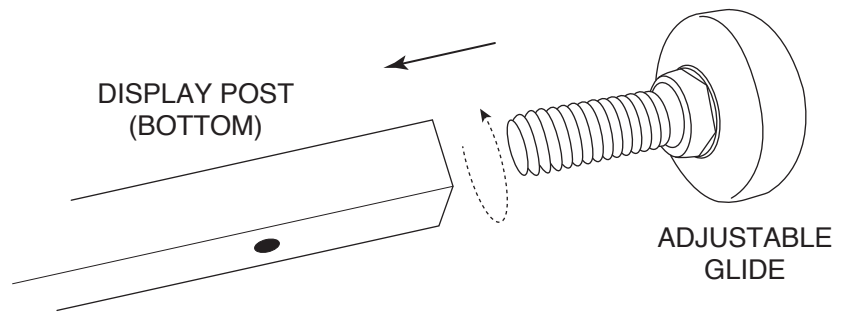
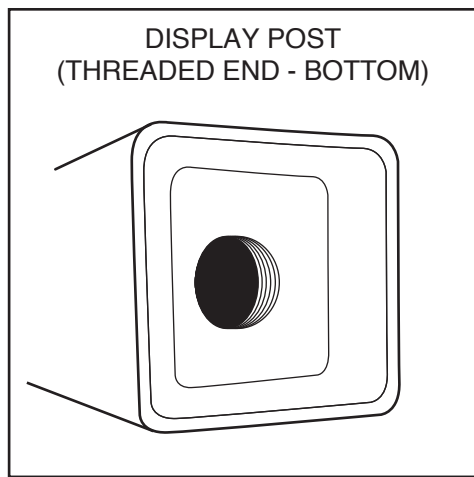
ASSEMBLY INSTRUCTIONS MANUAL

#60557 (IVORY) #60558 (COBBLESTONE)

#60559 (RAW STEEL) BOUTIQUE ETAGERE

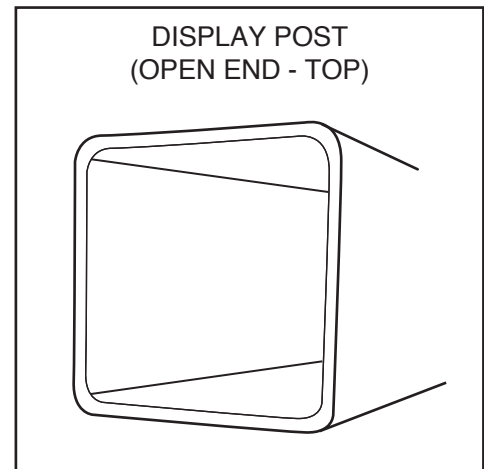
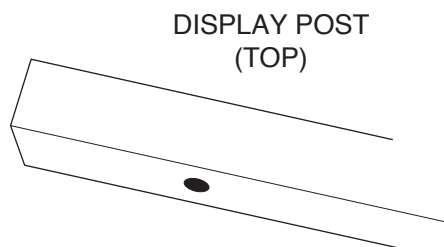
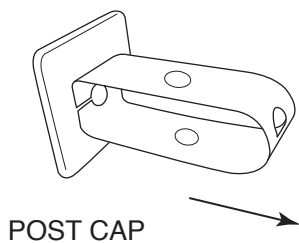
STEP 1

THREAD (CLOCKWISE) ADJUSTABLE GLIDE INTO THE THREADED END (BOTTOM) OF DISPLAY POST UNTIL TIGHT. REPEAT FOR THE OTHER (3) POSTS.



STEP 2

INSERT POST CAP INTO THE OPPOSITE END OF THE DISPLAY POST (TOP) UNTIL IT IS FLUSH WITH TOP OF POST. REPEAT FOR THE OTHER (3) POSTS.



ASSEMBLY INSTRUCTIONS MANUAL

#60557 (IVORY) #60558 (COBBLESTONE)

#60559 (RAW STEEL) BOUTIQUE ETAGERE

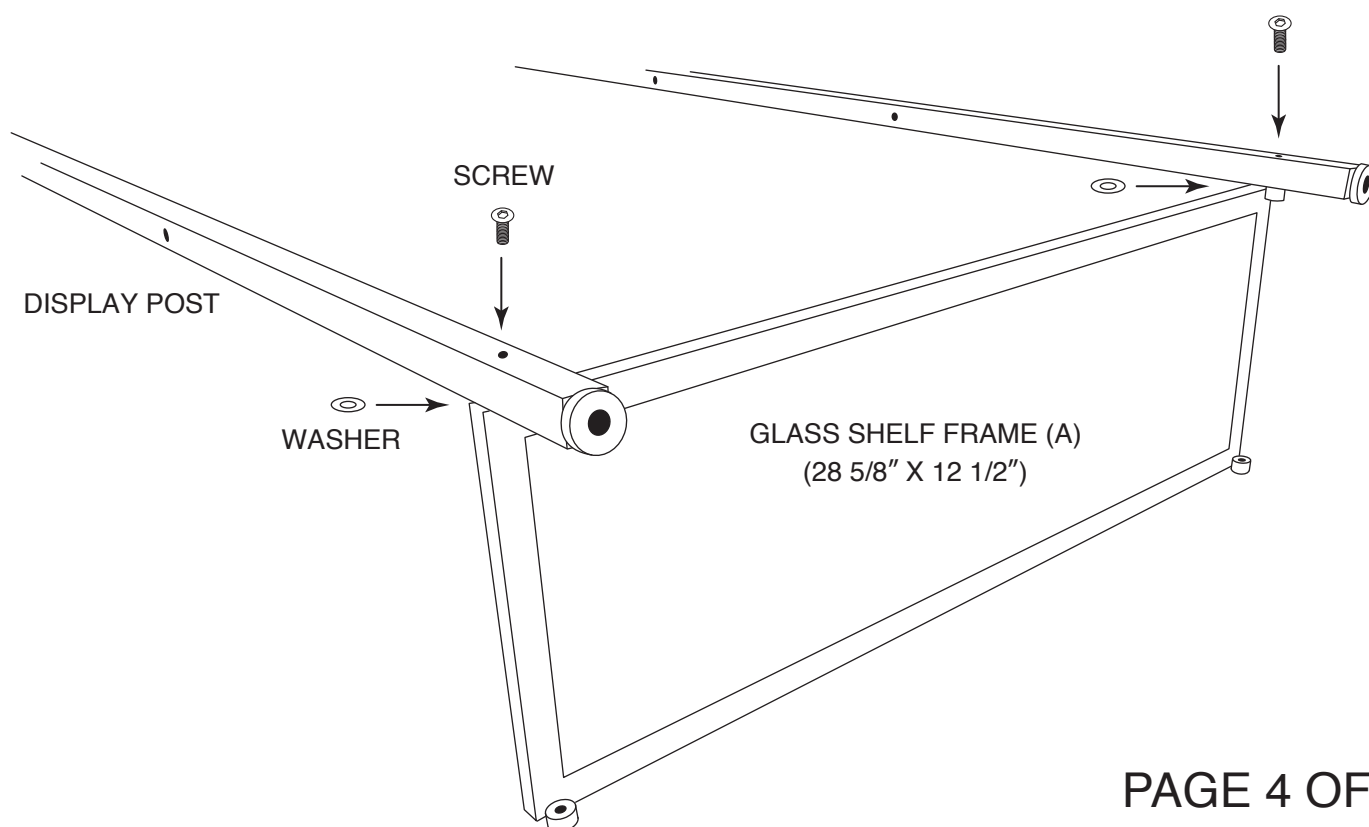
***STEPS 3 THROUGH 6** OF THE ASSEMBLY - TWO PEOPLE ARE RECOMMENDED.

STEP 3

PLACE GLASS SHELF FRAME (A) ON SOLID FLAT SURFACE, REST (2) DISPLAY POSTS PERPENDICULAR (90° ANGLE) TO EACH ON TOP OF FRAME (A). MAKE SURE BOTH ADJUSTABLE GLIDES ARE ON ONE END AND DISPLAY POSTS ARE ON THE OPPOSITE END.

GLASS SHELF FRAME (A) WILL BE THE BOTTOM SHELF. MAKE SURE THE RECESSED PART OF THE FRAME IS FACING UP TOWARDS THE TOP TO ACCOMODATE THE GLASS SHELF THAT WILL BE INSTALLED LATER.

INSERT SCREW THROUGH DISPLAY POST, THEN THROUGH WASHER AND THREAD CLOCKWISE INTO SHELF FRAME UNTIL TIGHT. REPEAT FOR OTHER POST.
(USE THE ALLEN WRENCH PROVIDED)



ASSEMBLY INSTRUCTIONS MANUAL

#60557 (IVORY) #60558 (COBBLESTONE)

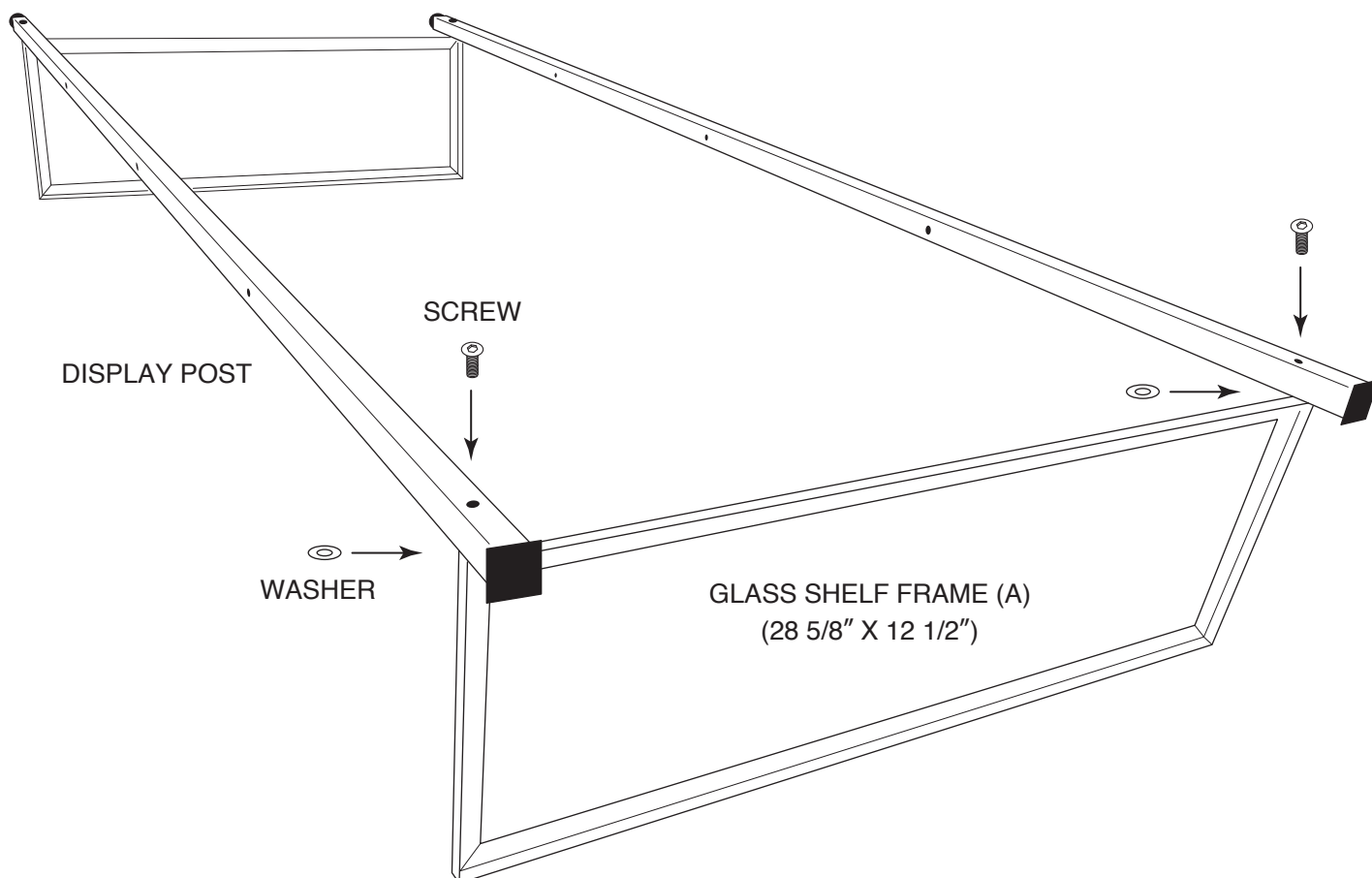
#60559 (RAW STEEL) BOUTIQUE ETAGERE

STEP 4

LIFT POSTS ON OPPOSITE END (TOP) AND PLACE THE OTHER GLASS SHELF FRAME (A) UNDERNEATH THE POSTS AS DONE IN STEP 3. THIS WILL BE THE TOP SHELF.

MAKE SURE THE RECESSED PART OF THE FRAME IS FACING UP TOWARDS THE TOP TO ACCOMMODATE THE GLASS SHELF THAT WILL BE INSTALLED LATER.

INSERT SCREW THROUGH DISPLAY POST, THEN THROUGH WASHER AND THREAD CLOCKWISE INTO SHELF FRAME UNTIL TIGHT. REPEAT FOR OTHER (3) POSTS.



ASSEMBLY INSTRUCTIONS MANUAL

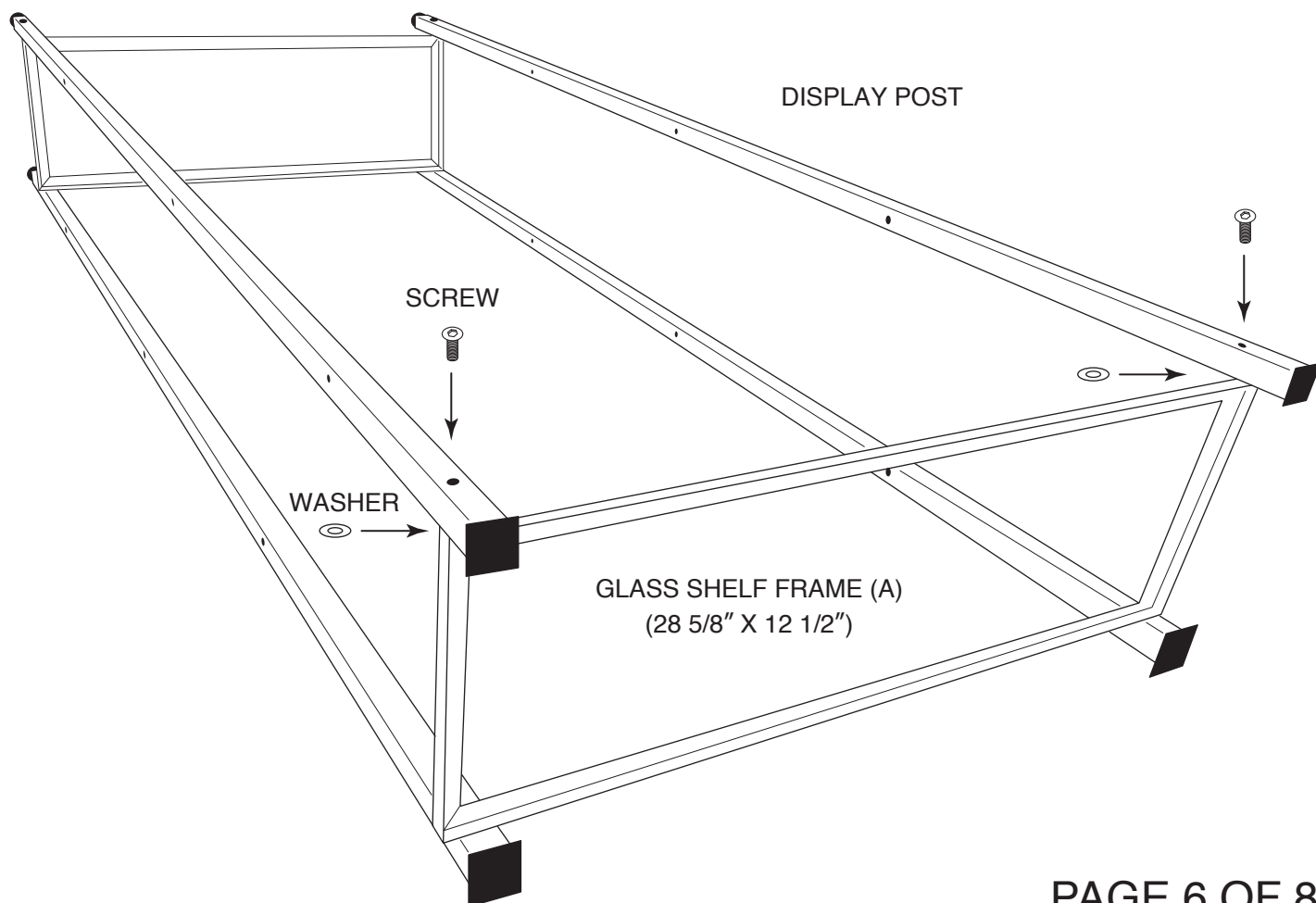
#60557 (IVORY) #60558 (COBBLESTONE)

#60559 (RAW STEEL) BOUTIQUE ETAGERE

STEP 5

TURN DISPLAY OVER SO THE DISPLAY POSTS ARE ON THE FLAT SURFACE. ATTACH THE OTHER (2) DISPLAY POSTS. PLACE POSTS ON TOP OF BOTH GLASS SHELF FRAMES (MAKE SURE BOTH ADJUSTABLE GLIDES ARE ON ONE END AND DISPLAY POSTS ARE ON THE OPPOSITE END).

INSERT SCREW THROUGH DISPLAY POST, THEN THROUGH WASHER AND THREAD CLOCKWISE INTO SHELF FRAME UNTIL TIGHT. REPEAT FOR OTHER (3) POSTS.



ASSEMBLY INSTRUCTIONS MANUAL

#60557 (IVORY) #60558 (COBBLESTONE)

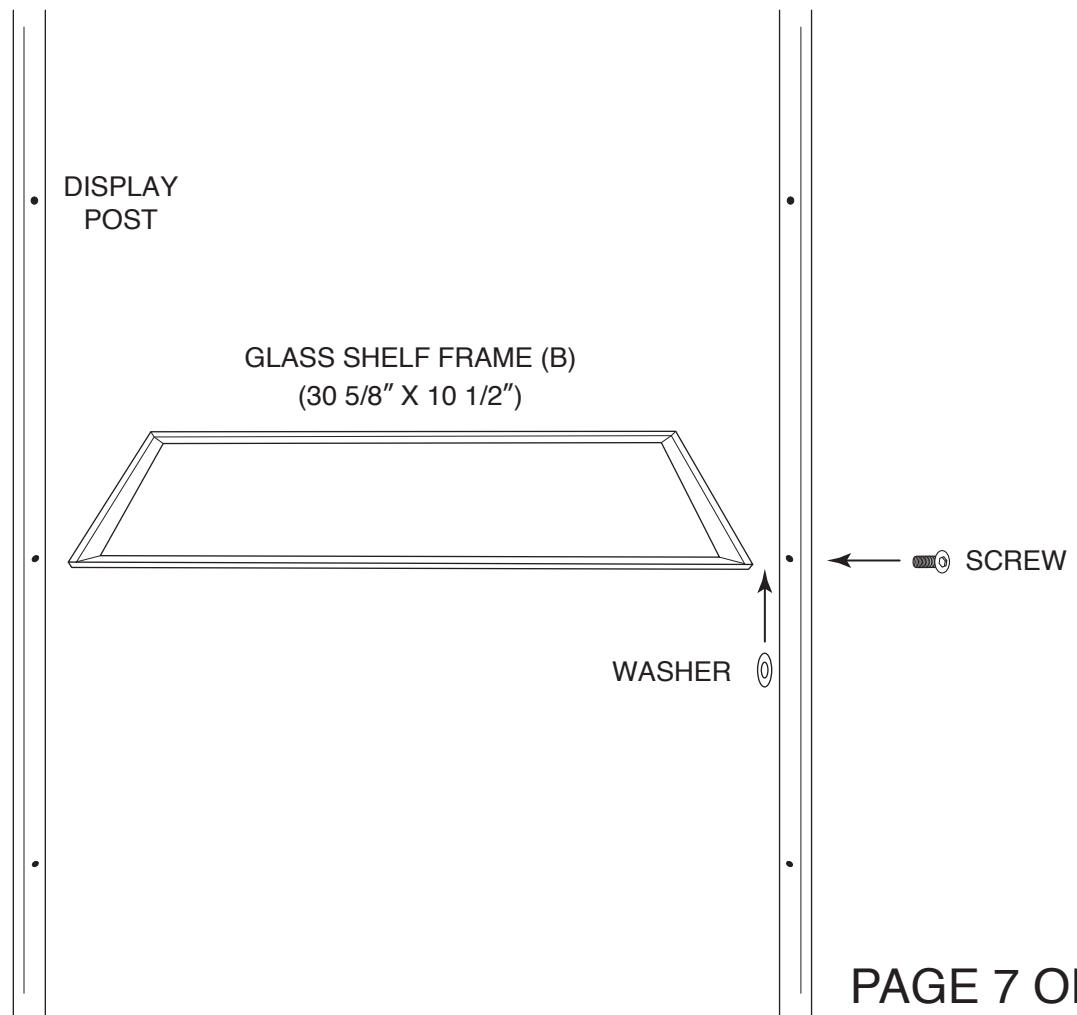
#60559 (RAW STEEL) BOUTIQUE ETAGERE

STEP 6

STAND DISPLAY UPRIGHT (ADJUSTABLE GLIDES ON BOTTOM). ATTACH GLASS SHELF FRAME (B) TO CENTER HOLE ON DISPLAY POSTS (THIS WILL HELP SQUARE UP THE DISPLAY). MAKE SURE THE RECESSED PART OF THE FRAME IS FACING UP TOWARDS THE TOP TO ACCOMODATE THE GLASS SHELF THAT WILL BE INSTALLED LATER.

INSERT SCREW THROUGH DISPLAY POST, THEN THROUGH WASHER AND THREAD CLOCKWISE INTO SHELF FRAME UNTIL TIGHT. REPEAT FOR OTHER (3) POSTS.

REPEAT THIS STEP FOR THE REMAINING (2) SHELF FRAMES.



ASSEMBLY INSTRUCTIONS MANUAL

#60557 (IVORY) #60558 (COBBLESTONE)

#60559 (RAW STEEL) BOUTIQUE ETAGERE

STEP 7

INSERT GLASS SHELVES INTO SHELF FRAMES.

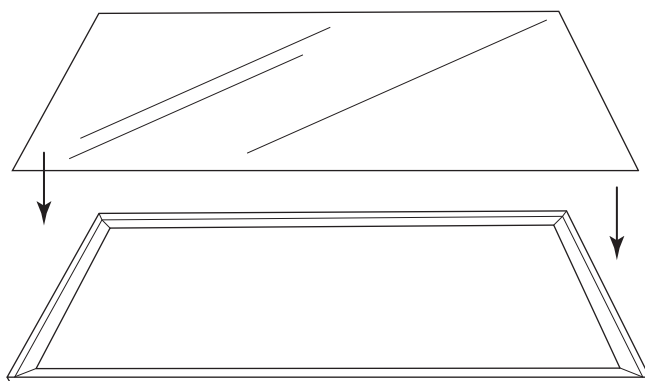
GLASS SHELVES (A - 28 3/8" X 12 3/8") ARE TO BE INSERTED ON THE TOP AND BOTTOM SHELVES.

GLASS SHELVES (B - 30 3/8" X 12 3/8") ARE TO BE INSERTED ON THE MIDDLE 3 SHELVES.

USE THE ATTACHED ADJUSTABLE GLIDES LOCATED AT THE BOTTOM OF THE TOWER TO LEVEL THE DISPLAY ON UNEVEN FLOORS.

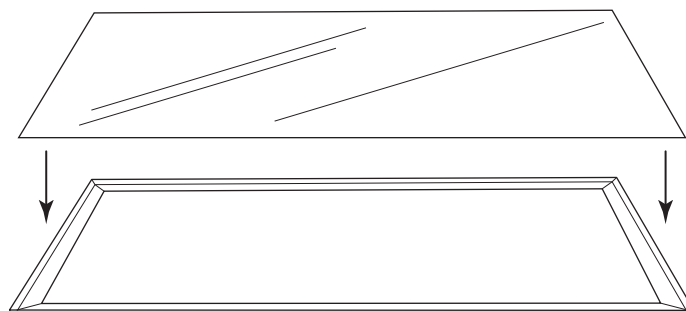
THIS COMPLETES THE ASSEMBLY.

GLASS SHELF (A)
(2 EACH - 28 3/8" X 12 3/8")



GLASS SHELF FRAME (A)
(28 5/8" X 12 1/2")

GLASS SHELF (B)
(3 EACH - 30 3/8" X 12 3/8")



GLASS SHELF FRAME (B)
(30 5/8" X 10 1/2")