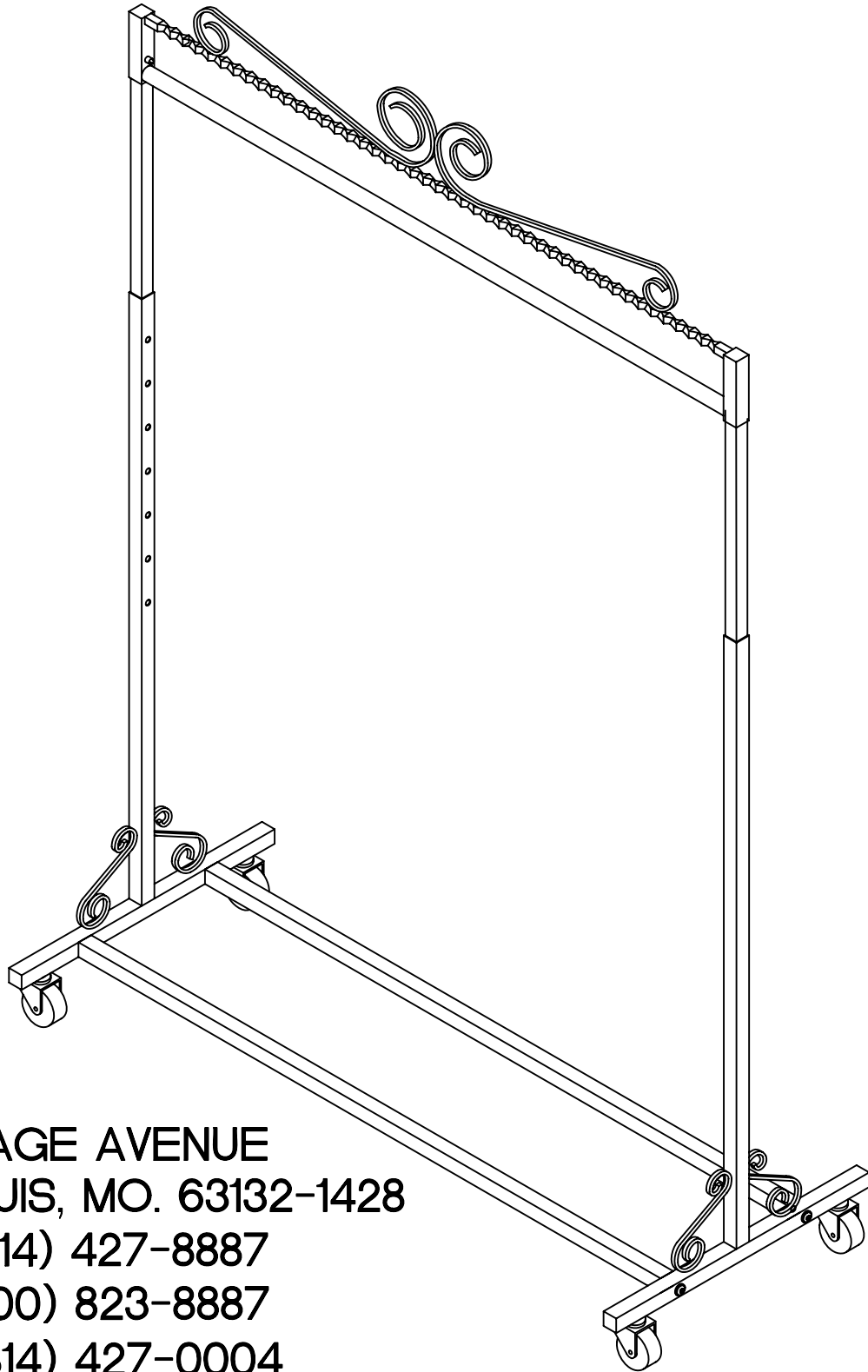


ASSEMBLY INSTRUCTION MANUAL #60-483 COBBLESTONE SALESMAN RACK WITH CASTERS



9801 PAGE AVENUE
ST. LOUIS, MO. 63132-1428
TEL: (314) 427-8887
or (800) 823-8887
FAX: (314) 427-0004
or (800) 823-0004

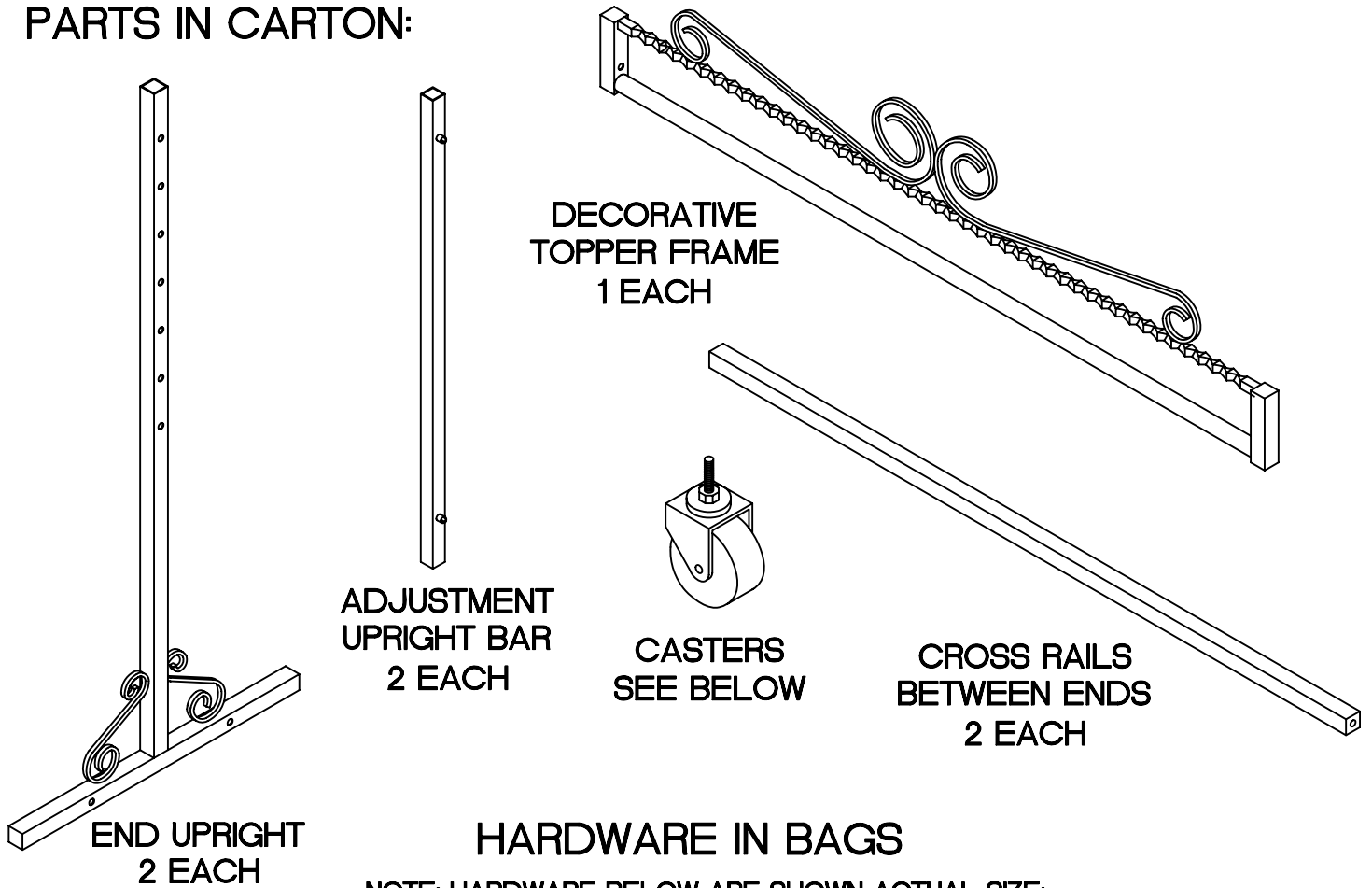
Final: 10/25/10



60-483 ASSEMBLY INSTRUCTION

COBBLESTONE SALESMAN RACK WITH CASTERS

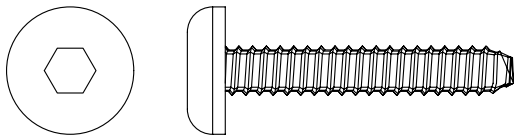
PARTS IN CARTON:



HARDWARE IN BAGS

NOTE: HARDWARE BELOW ARE SHOWN ACTUAL SIZE:
IF YOU ARE NOT SURE WHICH PART IS CORRECT
THEN PLACE PIECE ON TOP OF DRAWINGS FOR
HELP DURING ASSEMBLY.

HARDWARE BAG 1



4 EACH - ALLEN HEAD BOLTS

TOOL NOT ACTUAL SIZE

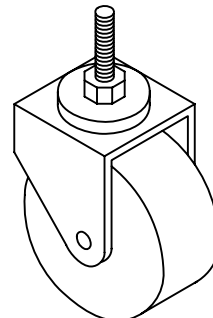


4 EACH - WASHERS

1 EACH
ALLEN WRENCH

HARDWARE BAG 2

2 EACH - CASTER WITH BRAKES
2 EACH - CASTERS



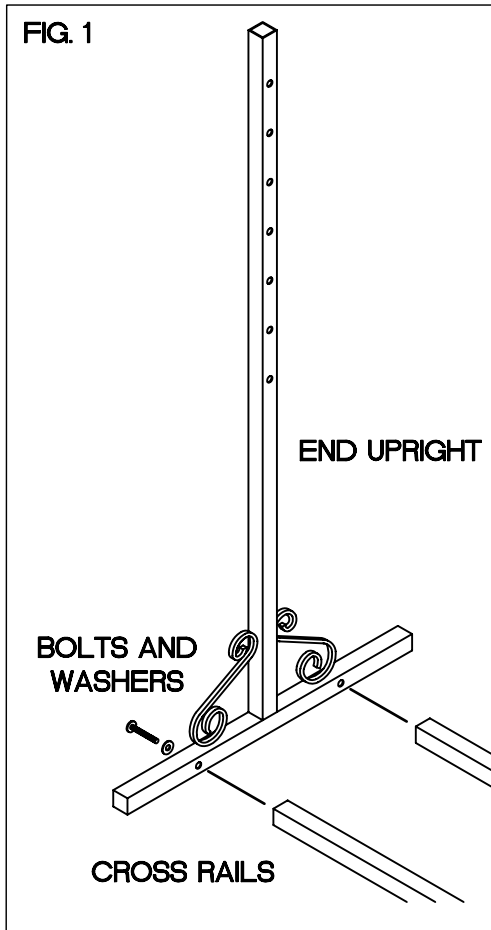
CASTER SHOWN:
IS WITHOUT BRAKE



60-483 ASSEMBLY INSTRUCTION

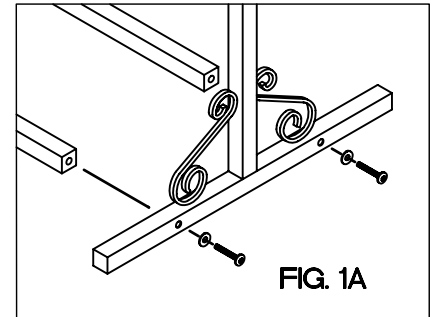
COBBLESTONE SALESMAN RACK WITH CASTERS

STEP ASSEMBLE:



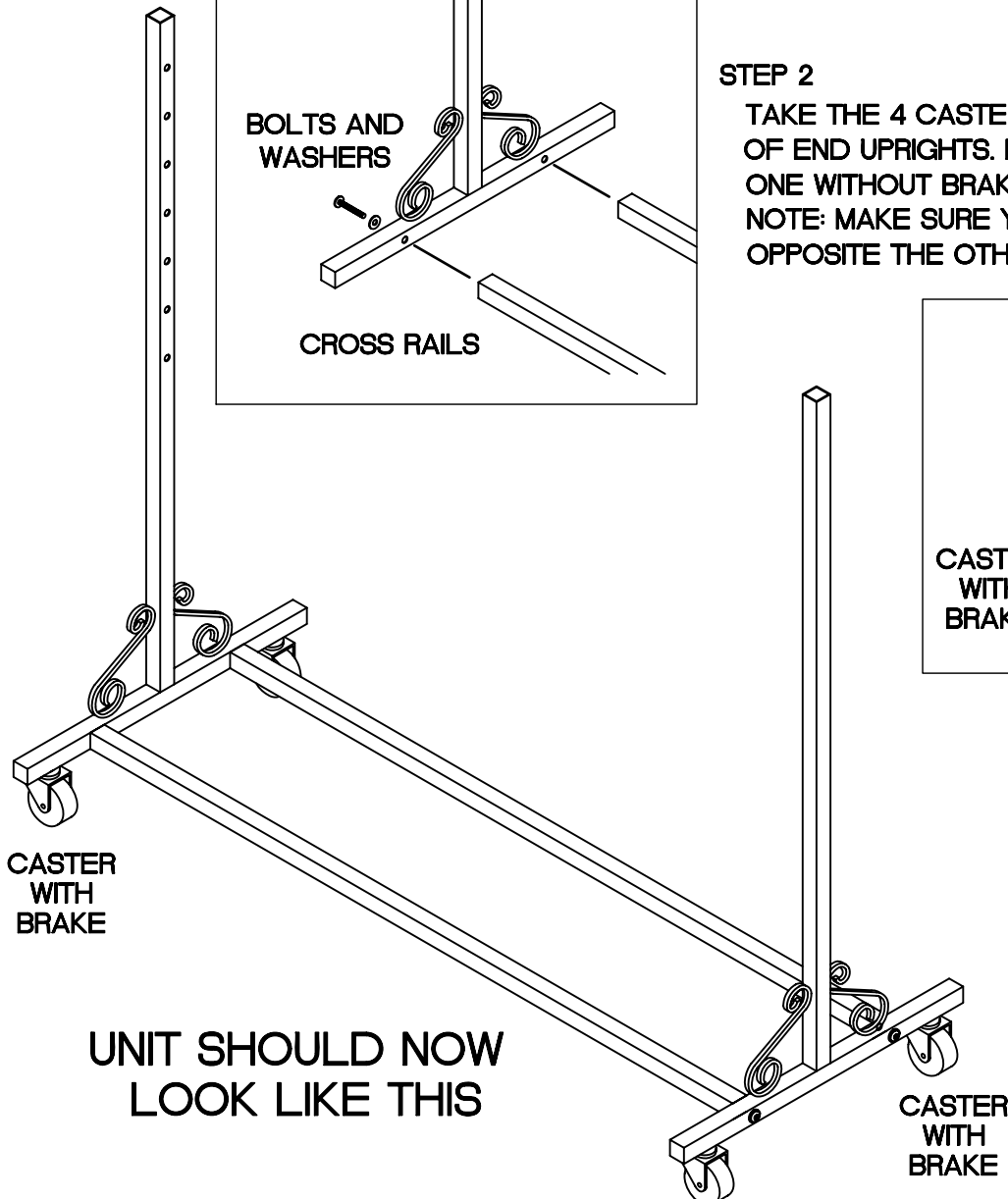
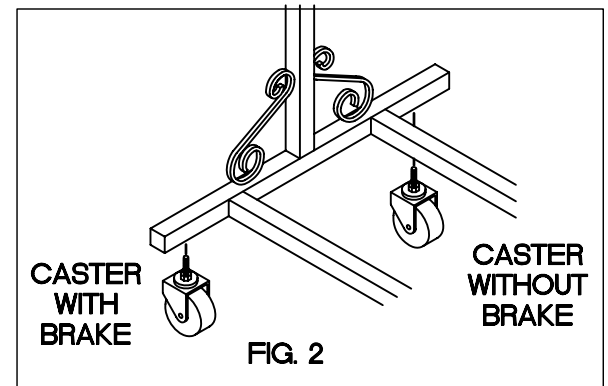
STEP 1

TAKE (1) ONE END UPRIGHT AND (2) TWO CROSS RAILS, MAKE SURE THE CROSS RAILS INTERSECT THE UPRIGHT SIDE WITH HOLES. ATTACH CROSS RAILS TO UPRIGHT WITH 2 BOLTS AND 2 WASHERS USE THE ALLEN WRENCH TO TIGHTEN. (SEE FIG. 1 AND 1A)
REPEAT SAME INSTRUCTION FOR THE OTHER END



STEP 2

TAKE THE 4 CASTERS AND SCREW INTO THE BOTTOM OF END UPRIGHTS. PUT ONE CASTER WITH BRAKE AND ONE WITHOUT BRAKE ON EACH END.
NOTE: MAKE SURE YOU HAVE THE BRAKING CASTERS OPPOSITE THE OTHER END. (SEE FIG. 2)



60-483 ASSEMBLY INSTRUCTION

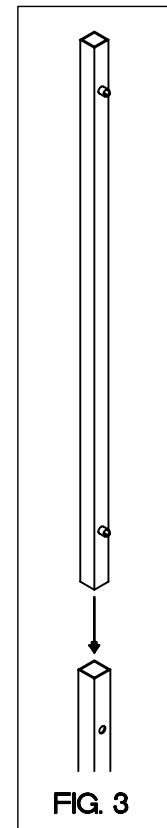
COBBLESTONE SALESMAN RACK WITH CASTERS

ASSEMBLY STEPS CONTINUES:

STEP 3

INSTALL ADJUSTMENT BARS PLACE ARM INTO UPRIGHT END TUBE WITH THE SILVER SPRING BUTTON TOWARD THE HOLES. DEPRESS THE SPRING BUTTON TO ALLOW THE BAR TO SLIDE INTO THE TUBE. PUSH THE ARM UNTIL IT SNAPS INTO THE FIRST ADJUSTMENT HOLE. REPEAT THE SAME PROCEDURE UNTIL DESIRED HEIGHT IS ACHIEVED. (SEE FIG. 3 AND 3A)

NOTE: TOPPER MUST BE INSTALLED BEFORE THIS PORTION OF THE ASSEMBLY.



DEPRESS
SPRING BUTTON

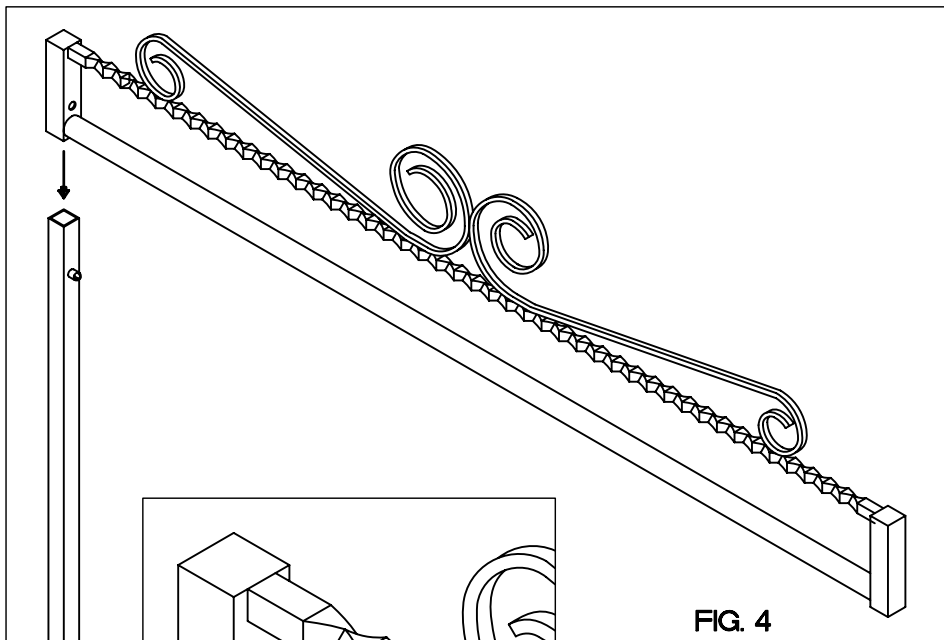
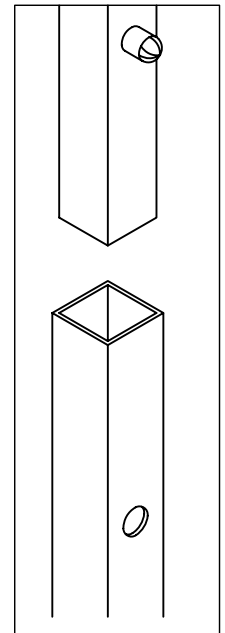


FIG. 4

STEP 4

SLIDE DECORATIVE TOPPER OVER THE ADJUSTMENT BARS DEPRESS THE SILVER SPRING BUTTON DOING THIS ALLOWS THE TOPPER SNAPS IN THE LOCK HOLE ON THE TOPPER. ADJUST ONE END AT A TIME

UNIT IS COMPLETE
SEE COVER FOR ASSEMBLED
FIXTURE

